



PRECISION FIREPOWER

OERLIKON SKYRANGER® 35

MULTI-ROLE AIR DEFENCE SYSTEM

This highly mobile air defence system with integrated search and tracking sensors is a powerful, autonomous shooter. It is capable of engaging modern battlefield threats with a special focus on small, unmanned aerial targets. It combines superior firepower with the dynamics and elevation needed to successfully engage highly agile single or swarming targets performing loiter, pop up or dive attacks.

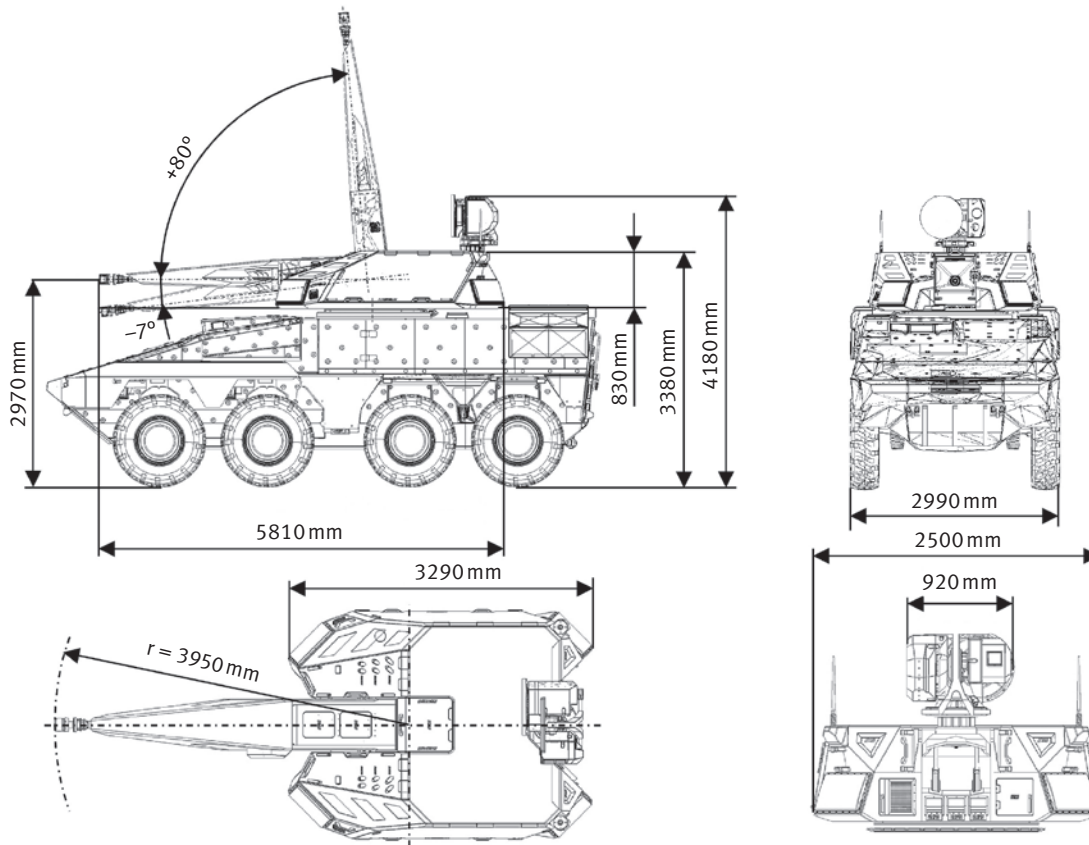
The Skyranger 35 continuously monitors the surrounding air space with the integrated 3D AESA search radar. In addition to its own air picture, targets from external search radars or higher order control nodes are received and processed. The integrated, fully stabilized tracking radar and the high-resolution electro-optical sensor unit allow reliable target tracking and visual identification. Engagement supervision is performed from two operator consoles for the commander and the engagement operator inside the vehicle. The high level of automatization makes the Skyranger 35 effective and easy to use.

The integrated 35 mm Oerlikon Revolver Cannon® provides superior firepower and accuracy. Combined with the Oerlikon Ahead® air burst ammunition the gun achieves a high effectiveness against the smallest targets.

Due to its modularity the 35 mm gun turret and additional system modules can easily be integrated on current in service 8x8 or tracked vehicles.

MAIN FEATURES

- Mobile 35 mm air defence gun
- Effective combat range: up to 4,000 m
- 35 mm Oerlikon Revolver Cannon®KDG
- Nominal rate of fire: 1,000 rds/min
- Rapid single shot mode: 200 rds/min
- 35 mm x 228 Ahead air burst ammunition
- Ready to fire ammunition: 252 rounds
- Integrated 360° AESA search radar
- Ku-band tracking radar
- Fully stabilized electro-optical sensor unit
- Ballistic protection: up to level 4 (STANAG 4569)
- 2x 10 Rosy smoke grenade launchers
- Integrated navigation system
- Two operator consoles in vehicle (commander/engagement operator)
- Oerlikon Skymaster® battle management software
- Easy handling and maintenance thanks to modern HMI concept



Integration of Oerlikon Skyranger® 35 shown on Boxer 8x8 APC

TECHNICAL CHARACTERISTICS

Cannon

| | |
|---|-------------------------------|
| Cannon type | Oerlikon Revolver Cannon® KDG |
| Calibre | 35 mm x 228 |
| Nominal rate of fire | 1,000 rounds/min |
| Rapid single shot | 200 rounds/min |
| Mean muzzle velocity Ahead (V_0) | 1,050 m/s |
| Mean muzzle velocity full calibre (V_0) | 1,175 m/s |
| Length of cannon with muzzle brake | 4,206 mm |
| Barrel length (90 cal.) | 3,150 mm |

Ammunition

| | |
|--------------------------------|------------------|
| Types (NATO Code) | |
| Programmable | Ahead (KETF) |
| Standard full calibre | HEI-T, FAP, TP-T |
| Number of rounds ready to fire | 252 |

Gun turret

| | |
|--------------------------------------|-------------|
| Weight of gun turret w/o ammunition | 3,500 kg |
| Weight of gun turret with ammunition | 3,950 kg |
| Swept radius (barrel 0°) | 3,950 mm |
| Traverse arc | n x 360° |
| Elevation arc | -7° to +80° |
| Traverse speed | 115°/s |
| Elevation speed | 57°/s |

Integrated search radar

| | |
|--------------------|---------------------------|
| Radar type | 3D AESA, S-band or X-band |
| Instrumented range | 35 km |
| Spatial coverage | AZ: 360°, El: -5°...+70° |

Tracking sensor unit

| | |
|---------------------|---------|
| Tracking radar (TR) | Ku-band |
| Instrumented range | 35 km |
| Update rate | 50 Hz |

Electro-optical sensor package

| | |
|-----------------------------------|--------------------------------|
| TV camera | HD colour CMOS, 0.75°...37.5° |
| IR camera | Cooled MW, HD, 1.3°/4.6°/21.8° |
| Laser rangefinder | Eye safe class 1M, 6 – 10 Hz |
| Video tracker | Optimized for air targets |
| Sensor unit motion vs. gun turret | Az: ±150°, El: -15°...+85° |
| Identification Friend Foe | Directional IFF (option) |

Fire control

Automatic target acquisition, detection and tracking

Search and track on the move

Gun engagement control

Operation, C2 Interface

2 operator consoles in vehicle (commander, engagement operator)

Skymaster console/C2 Interface

We reserve all rights in connection with this document. Data and descriptions have only an information value. Modifications are reserved. Oerlikon Skyranger®, Oerlikon Revolver Cannon®, Oerlikon Ahead® and Oerlikon Skymaster® are registered trademarks of Rheinmetall Air Defence AG.

Rheinmetall Air Defence AG

Birchstrasse 155 · 8050 Zurich · Switzerland · info@rheinmetall-defence.com · www.rheinmetall.com