



30 MM AIR BURST MUNITION PROGRAMMING KIT

PROGRAMMING KIT FOR 30 MM x 173 ORBITAL ATK MK44 BUSHMASTER®

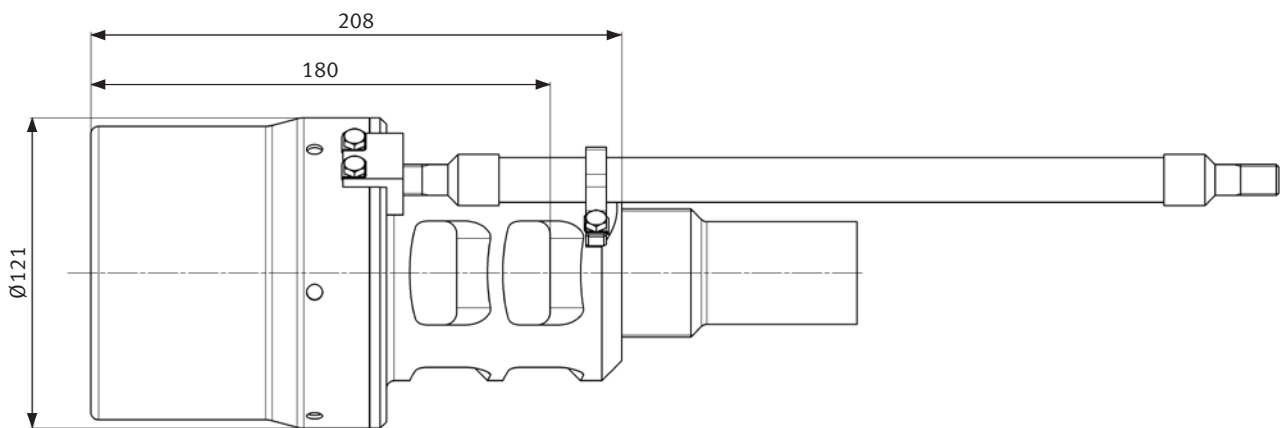
The 30mm ABM (air burst ammunition) kit is designed for the Mk44 cannon. It replaces the original muzzle brake and provides accurate muzzle velocity measurement and ejection time programming for Rheinmetall 30mm ABM ammunition.

The ABM muzzle velocity measurement is carried out by the one coil measurement technology using advanced digital signal processing. The muzzle velocity of different types of ammunition can be measured and used for fire control calculations. Sub-calibre ammunition can be fired using the unit without negative effect to the unit or to the hit pattern.

The measured muzzle velocity of each round is used to correct the calculated fuse time. This calculation is performed by the ABM computer which is provided in a ruggedized housing or as separate printed circuit board for integration.

MAIN FEATURES

- Programming kit for the Rheinmetall 30mm x173 air burst ammunition (PMC308)
- Fits on standard Mk44 barrel
- Compatibility with sub-calibre ammunition
- Automatic muzzle velocity measurement using the 1-coil measurement technology
- Muzzle velocity range: 800–1,600 m/s
- High measurement precision
- Ejection time programming depending on actual muzzle velocity
- Low weight
- Standard CAN-Bus or RS-422 interface



TECHNICAL CHARACTERISTICS

Muzzle velocity measurement

Measurement range 800–1,600 m/s

Measurement accuracy:

ABM ammunition $1\sigma < 5\%$

Full-calibre ammunition $1\sigma < 7\%$

Ejection time programming

Time range 64–8,190 ms

Resolution 2 ms

ABM programming base

Weight including muzzle brake 2.7 kg

Weight without muzzle brake 1.5 kg

Overall length 208 mm

Outside diameter 121 mm

Muzzle brake compatibility MK44

Barrel interface compatibility MK44

ABM electronics

Printed circuit card format Single euro size, 3 HU

Weight without housing <0.8 kg

Weight with housing (option) <5.5 kg

Size with housing (option), L x B x H 296 x 192 x 180 mm

Power supply 18–32 VDC, according to VG 96916 T5

Power requirement max. 100 W

Data interface CANopen DS301 or RS-422

Protocol according to DF813543-V

Ammunition compatibility

Calibre 30 mm x 173

Programmable type (Nato code) KETF

Full-calibre types (Nato code) HEI-T, TP-T

Sub-calibre types (Nato code) FAPIDS-T, APFSDS-T, TPFDS-T

We reserve all rights in connection with this document. Data and descriptions have only an information value. Modifications are reserved.