



## BARRELBEAM

### DESCRIPTION

The BarrelBeam laser is a development based on long experience and thousands of target lasers built, ranging from pistol lasers to military infantry rifle applications. Using TwinBeam laser components, the laser is simply fitted on the calibre bar. Gently rotating it, it creates a circle which is centred on the centreline of the calibre bar. By adjusting the X and Y axis of the laser, the laser can be moved to the exact centre of the calibre bar. This allows boresight verification at all times to verify the correct adjustment of target lasers or optical sights. Available with red beam or infrared beam.

### CHARACTERISTICS

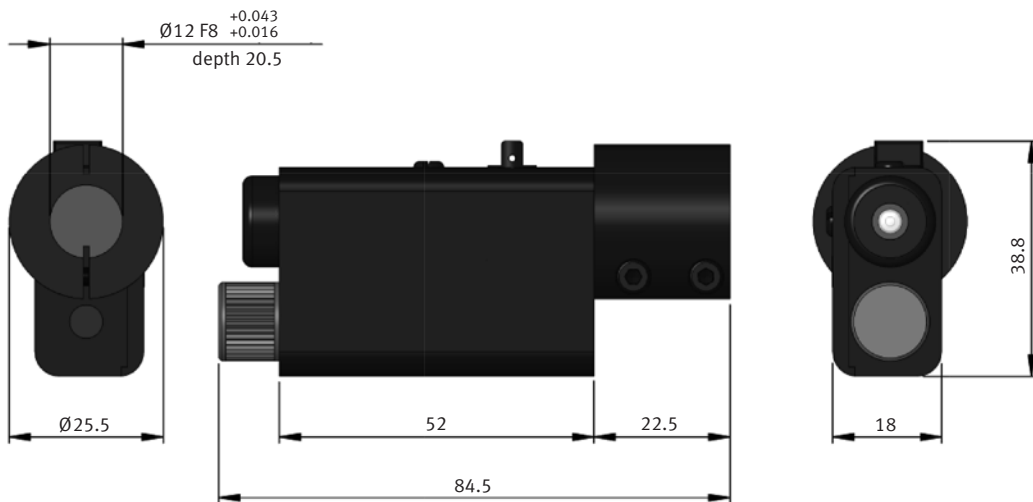
- Colimated dot laser
- Laser in X-Y axis adjustable
- Mounting via  $\text{Ø}12\text{H}7 \times 20$  bore
- $\pm 20$  mrad angle of adjustment travel
- Stepless adjustment (no click)
- On/off switch
- AR coated glass lens
- Battery powered

## TECHNICAL DATA

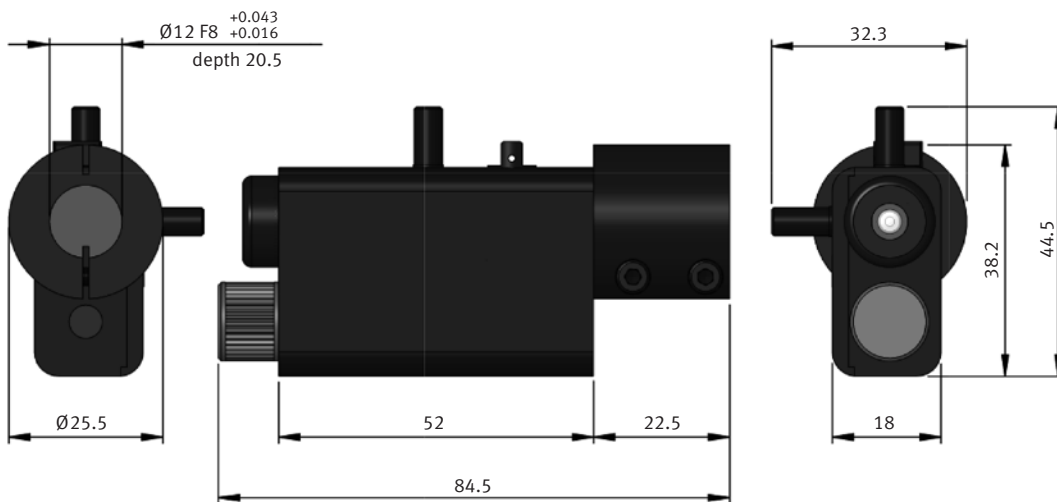
Wave-length nm	Optical output mW	Beam shape	Laser class <sup>1)</sup>	Divergence <sup>2)</sup> mrad	Wavelength shift <sup>3)</sup> nm/°C	Output power stability <sup>3)</sup> % 25°C	Ripple noise 4-6VDC rms	Order number
• 635	<1	Dot	2	<0.5	0.25	<0.5	<1%	0105-13-92-01
• 635	<1	Dot	2	<0.5	0.25	<0.5	<1%	0105-13-92-02

<sup>1)</sup> EN/ISO 60825-1 <sup>2)</sup> E@FWHM <sup>3)</sup> after warmup

## DIMENSIONS



illus.: 0105-13-92-01



illus.: 0105-13-92-02



Laser beams can cause damage to your eyes.  
The user is responsible to observe the local safety regulations.

Mistakes and technical changes reserved.

### Rheinmetall Air Defence AG

Birchstrasse 155 · CH 8050 Zurich · Switzerland · Phone +41 44 316 22 11  
lasersolutions\_rad@rheinmetall.com · www.rheinmetall-defence.com