



MOBILE FIREPOWER

OERLIKON REVOLVER GUN® MK3 – TRUCK MOUNTED

MOBILE 35 MM AIR DEFENCE SYSTEM

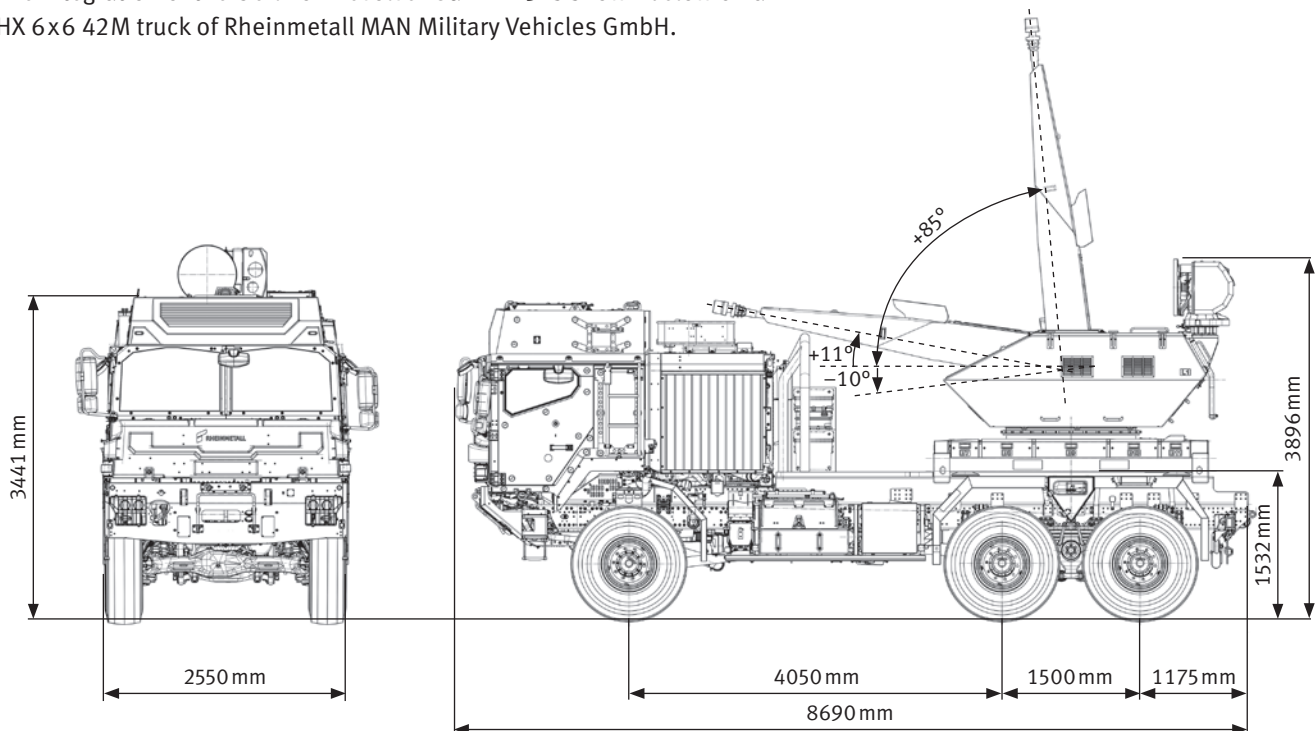
This mobile and highly precise 35 mm air defence gun with integrated radar tracker and electro-optical sensor unit is a powerful, autonomous shooter capable for various kinds of missions. It is the newest member of the successful Oerlikon Revolver Gun® family. The Oerlikon Revolver Gun® Mk3 Truck Mounted can receive and process target data from 3D or 2D search radars or higher order control nodes. The tracking radar's automatic search pattern makes target handover simple, fast and reliable. The integrated gun control computer manages target tracking and engagement. The electro-optical sensor unit allows visual target identification. Engagement supervision is performed from the engagement operator console in the truck cabin.

The integrated 35 mm Oerlikon Revolver Cannon® provides superior firepower and accuracy. Combined with the Oerlikon Ahead® air burst ammunition the gun achieves a high effectiveness against both conventional and emerging air threats, including low, slow and small (LSS, UAS) and missile targets. The cannon and ammunition are fully qualified and in service on land and sea platforms worldwide. The Revolver Gun Mk3 can be installed with minimal modification on any customer specific 6x6 or 8x8 truck with adequate payload. The gun turret is fully stabilized. Target search and tracking can be performed on the move. Air targets are engaged when the vehicle is stopped. For long-term stationary missions the gun can also be deployed on the ground.

MAIN FEATURES

- Mobile 35 mm air defence gun
- Effective combat range: up to 4,000 m
- 35 mm Oerlikon Revolver Cannon®
- Nominal rate of fire: 1,000 rds/min
- Rapid single shot mode: 200 rds/min
- Ahead air burst ammunition
- Ready to fire ammunition: 252 rounds
- Remote charge and discharge function
- Quick charge and fire out function
- Ku-band tracking radar
- Modular electro-optical sensor unit
- Flexible target handover from 2D/3D search radars
- Automatic target acquisition and tracking
- Engagement supervision from console in truck cabin
- Integrated navigation system
- Simple handling and maintenance
- Option: Integrated Oerlikon Skymaster® control console
- Option: Radio link to Oerlikon Skymaster® C2 system
- Growth potential: Integrated AESA search radar

The integration of the Oerlikon Revolver Gun® Mk3 is shown below on a HX 6x6 42M truck of Rheinmetall MAN Military Vehicles GmbH.



TECHNICAL CHARACTERISTICS

Cannon

Calibre	35 mm x 228
Nominal rate of fire	1,000 rounds/min
Rapid single shot	200 rounds/min
Mean muzzle velocity Ahead (V_0)	1,050 m/s
Mean muzzle velocity full calibre (V_0)	1,175 m/s
Length of cannon with muzzle brake	4,206 mm
Barrel length (90 cal.)	3,150 mm

Ammunition

Types (NATO code)	
Programmable	Ahead (KETF)
Standard full calibre	HEI-T, TP-T, FAP
Number of rounds ready to fire	252

Gun turret

Weight of gun turret w/o ammunition	4,650 kg
Weight of gun turret with ammunition	5,100 kg
Swept radius (barrel 0°)	3,950 mm
Traverse arc	n x 360°
Elevation arc	-10° to +85°

Gun installation on truck

Mechanical interface of gun	ISO 1D footprint
Minimum payload of truck	10t

Tracking sensor unit

Tracking radar (TR)	Ku-band
Instrumented range	35 km
Update rate	50 Hz

Electro-optical sensor package

TV camera	HD colour CMOS, 0.75°... 37.5°
IR camera	Cooled MW, HD, 1.3°/4.6°/21.8°
Laser rangefinder	Eye safe class 1M, 6–10 Hz
Video tracker	Optimized for air targets
Sensor unit motion vs. gun turret	Az: ±150°, El: -15°... +85°

Integrated search radar (growth potential)

Search radar type	3D AESA, S-band or X-band
Instrumented range	35 km
Spatial coverage	Az: 360°, El: -5°... +70°

Fire control

Automatic target acquisition, detection and tracking
Remote controlled target engagement

Operation

Remote control from operator console in truck cabin
Oerlikon Skymaster® control console (option)
Radio link to higher echelon control node (option)

We reserve all rights in connection with this document. Data and descriptions have only an information value. Modifications are reserved.
Oerlikon Skymaster®, Oerlikon Revolver Gun®, Oerlikon Revolver Cannon® and Oerlikon Ahead® are registered trademarks of Rheinmetall Air Defence AG.

Rheinmetall Air Defence AG

Birchstrasse 155 · 8050 Zurich · Switzerland · info@rheinmetall-defence.com · www.rheinmetall.com