



OERLIKON CANNON® 20 MM KAE

REMOTE CONTROLLED CANNON BASED ON THE FAMOUS KAA TYPE

This high precision and high performance 20mm cannon is based on the famous 20mm KAA type cannon.

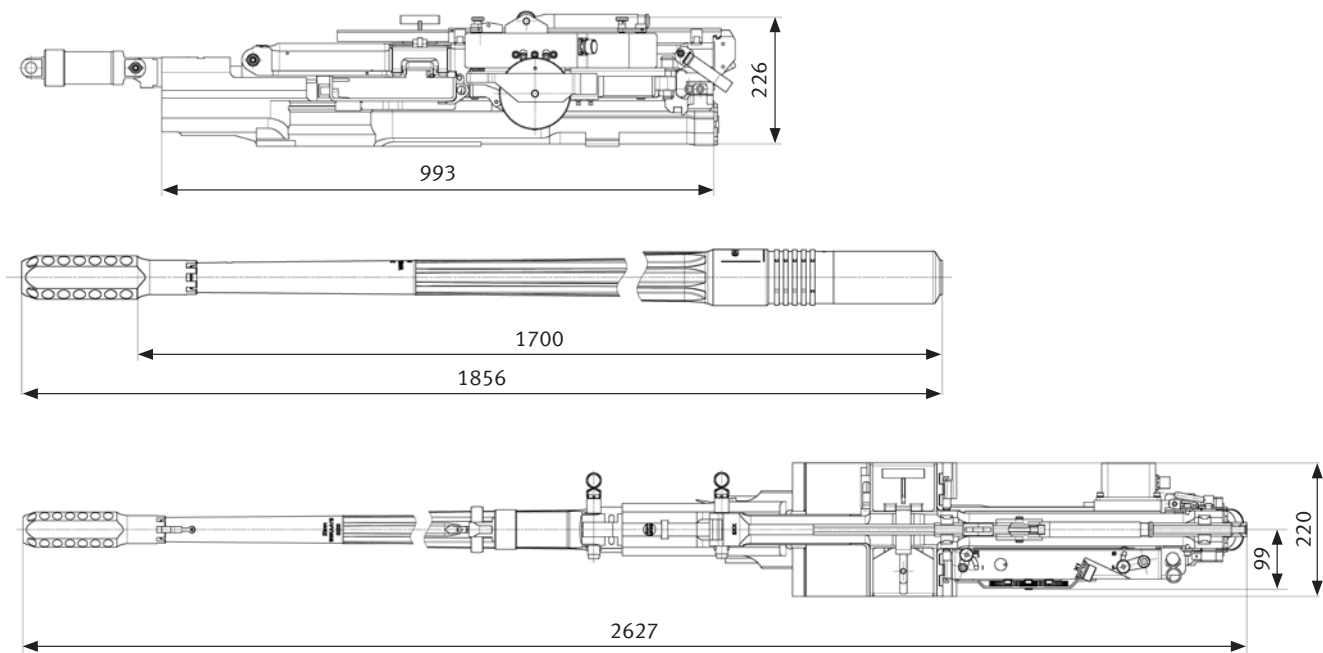
With the addition of an electrical trigger device and a cannon control unit the KAE is intended to be used on remote controlled weapon stations on land as well as in naval applications.

The KAE uses the reliable, qualified mechanical units of its KAA predecessor and is characterized by its high precision and reliability. The belt feed is operated by the breech mechanism. Loading can be carried out with open or closed breech. Charging of the cannon can be performed manually or by a remotely operated charging device (option).

By means of the cannon control unit, the rate of fire can be electrically controlled and adapted to the application. Thus a very high precision and effectiveness can be assured. Furthermore, the number of rounds per burst can be preset.

MAIN FEATURES

- Positively locked gas-operated cannon with two breech locking catches
- Mechanical ignition
- Electrical trigger device
- Cannon control unit with standard electrical interface (RS-422, optional Ethernet or CAN)
- Max. rate of fire: up to 1,000 rds/min
- Programmable rate of fire: 100–300 rds/min
- High precision
- Effective combat range: up to 2,000 m
- Belt feed LH or RH
- Ammunition feed operated by breech mechanism
- Reliable operation
- Simple maintenance
- No tools necessary for field maintenance



TECHNICAL DATA

Cannon

Calibre	20 x 128 mm
Max. rate of fire	1,000 rounds/min
Rapid single shot	100–300 rounds/min
Muzzle velocity (V_0)*	1,050–1,150 m/s
Average recoil force	6.9 kN
Max. recoil force	+12.6 kN/–9.5 kN
Cannon recoil	max. 12 mm
Length of cannon with muzzle brake	2,627 mm
Barrel length with muzzle brake	1,856 mm
Barrel length without muzzle brake (85 cal.)	1,700 mm
Rifling	RH, progressive twist, 0°–6.5°
Rifling grooves	12
Ammunition feed	Belt feed, RH or LH
Weight of cannon complete	95 kg
Weight of barrel with muzzle brake	28 kg
Weight of barrel without muzzle brake	26 kg

*depending on ammunition type

Cannon control unit

Functionality	Electrical trigger control, fire mode, fire safety
Interface	RS-422 (optional Ethernet, CAN)
Firing safety enable	discrete, 24 VDC
Size (L x B x H) without connectors	220 x 120 x 90 mm
Protection level	IP65
Power supply	24 ± 6 VDC
Weight	2.5 kg
Ammunition	
Types (Nato code)	SAPPIE-T, TP-T, AP-T, HEI-T
Mass of round*	320–340 g
Mass of shell*	102–128 g
Mass of belt link	60 g
Length of round	203.5 mm
Projectile flight time to 1,000 m*	1.1–1.2 s
Projectile flight time to 2,000 m*	2.8–3.2 s

We reserve all rights in connection with this document. Data, drawings and descriptions have only an information value. Modifications are reserved. Oerlikon Cannon® is a registered trademark of Rheinmetall Air Defence AG.

Rheinmetall Air Defence AG

Birchstrasse 155 · 8050 Zurich · Switzerland · info@rheinmetall-defence.com · www.rheinmetall.com