



RELIABLE FIREPOWER

OERLIKON TWIN GUN® GDF 009 TREO

35 MM AIR DEFENCE GUN

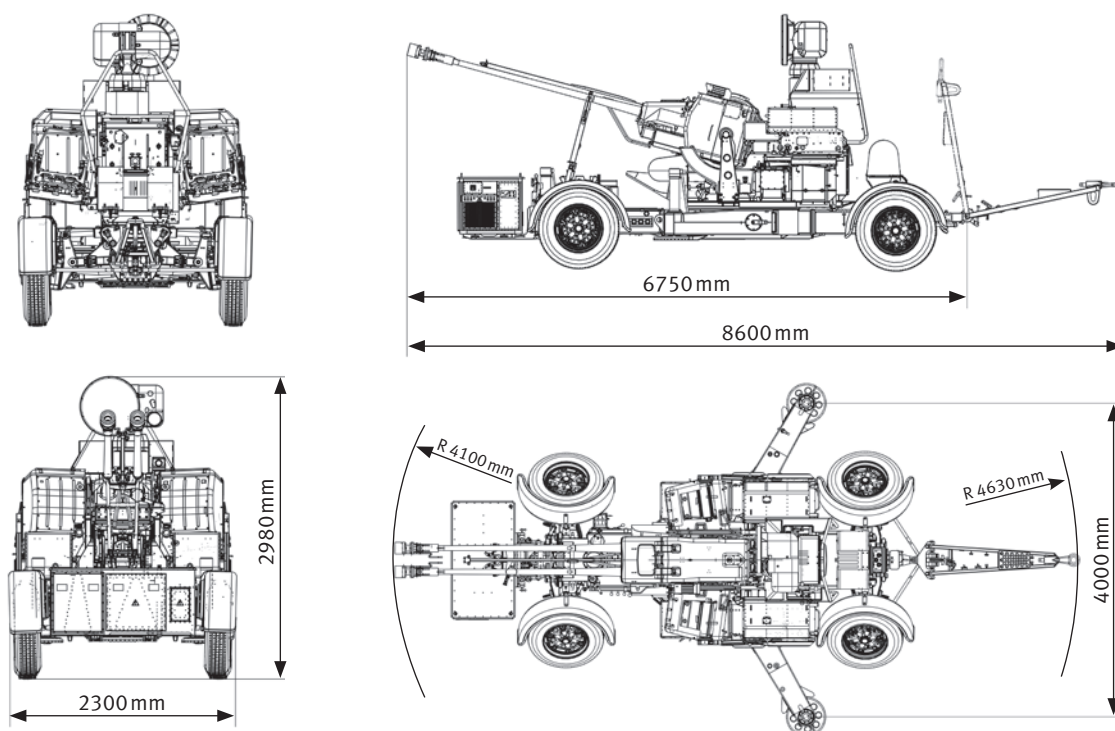
This latest configuration of the 35 mm Oerlikon Twin Gun® family is a flexible and powerful effector capable of being used in various kinds of missions. Every existing Oerlikon Twin Gun® can be upgraded to the latest GDF009 TREO configuration. The Oerlikon Twin Guns are combat proven and in use in numerous countries.

The Oerlikon Twin Gun® GDF009 TREO is fitted with a modern network capable gun computer and can receive and process target data from fire control units or 3D radars such as the Oerlikon Skyguard® Fire Control Unit or the X-TAR3D Tactical Acquisition Radar. The gun can be remote controlled or used for an autonomous target engagement by means of the integrated tracking sensor unit. Target handover is possible from a fire control unit, a 3D search radar or an external optical target designator.

The two integrated 35 mm Oerlikon Cannon® KDC provide superior fire power and accuracy. Combined with the Oerlikon Ahead® air burst ammunition the gun achieves a high effectiveness against various kinds of air or ground targets. The Oerlikon Twin Gun® GDF009 TREO is based on a wheeled trailer with hydraulic supports on swivel arms. The gun can easily be transported and deployed in the field on flat or uneven grounds. In the firing position the wheels of the gun are tilted and the gun is automatically levelled by the hydraulic system integrated in the lower mount.

MAIN FEATURES

- 35 mm air defence twin gun
- Remote controlled or autonomous operation
- Effective combat range: up to 4,000 m
- Modern network capable gun computer
- Ku-band tracking radar
- Modular electro-optical sensor unit
- Autonomous target tracking and engagement
- Target handover from fire control unit, search radar or optical target designator
- Remote engagement supervision
- 2 x 35 mm Oerlikon Cannon® KDC
- Nominal rate of fire: 1,100 rds/min
- Ahead multi-purpose ammunition
- Ammunition on gun/ready to fire: 280/112 rounds
- Automatic reloading function
- Integrated battery-based power supply unit
- Wheeled chassis with hydraulic supports on swivel arms
- Fast deployment and relocation time
- Simple handling and maintenance



TECHNICAL CHARACTERISTICS

Cannon

Type	2 x Oerlikon Cannon® KDC
Calibre	35 mm x 228
Nominal rate of fire	2 x 550 rounds/min
Mean muzzle velocity Ahead (V_0)	1,050 m/s
Mean muzzle velocity full calibre (V_0)	1,175 m/s
Length of cannon with muzzle base	4,604 mm
Barrel length without muzzle base (90 cal.)	3,150 mm

Ammunition

Types (NATO code)	
Programmable	Ahead (KETF)
Standard full calibre	HEI-T, FAP, TP-T
No. of rounds on gun/ready to fire	280/112

Gun mount

Weight of gun without ammunition	8,080 kg
Weight of gun with ammunition	8,580 kg
Swept radius (barrel 0°)	4,100 mm
Traverse arc	n x 360°
Elevation arc	-5° to +92°
Traverse speed	115°/s
Elevation speed	57°/s

Tracking sensor unit

Tracking radar	Ku-band
Instrumented range	35 km
Update rate	50 Hz

Electro-optical sensor package

TV camera	HD colour CMOS, 0.75°... 37.5°
IR camera	Cooled MW, HD, 1.3°/4.6°/21.8°
Laser rangefinder	Eye safe class 1M, 6 – 10 Hz
Video tracker	Optimized for air targets
Sensor unit motion vs. gun turret	Az: ±150°, El: -15°... +85°

Power supply

Battery-based power supply integrated on trailer
Integrated battery charger and voltage stabilization

Mobility and emplacement

Wheeled chassis for towing with truck
Integrated swivel arms with hydraulic supports
Automatic levelling system, max. tilt angle 7°

Operation

Remote controlled operation (unmanned)
Autonomous operation (unmanned)
Set up and maintenance with 2 – 4 operators

We reserve all rights in connection with this document. Data and descriptions have only an information value. Modifications are reserved. Oerlikon Twin Gun®, Oerlikon Cannon®, Oerlikon Skyguard® and Oerlikon Ahead® are registered trademarks of Rheinmetall Air Defence AG.

Rheinmetall Air Defence AG

Birchstrasse 155 · 8050 Zurich · Switzerland · info@rheinmetall-defence.com · www.rheinmetall.com