



PRODUCT CATALOGUE

WEAPON ACCESSORIES

TAKING RESPONSIBILITY IN A CHANGING WORLD

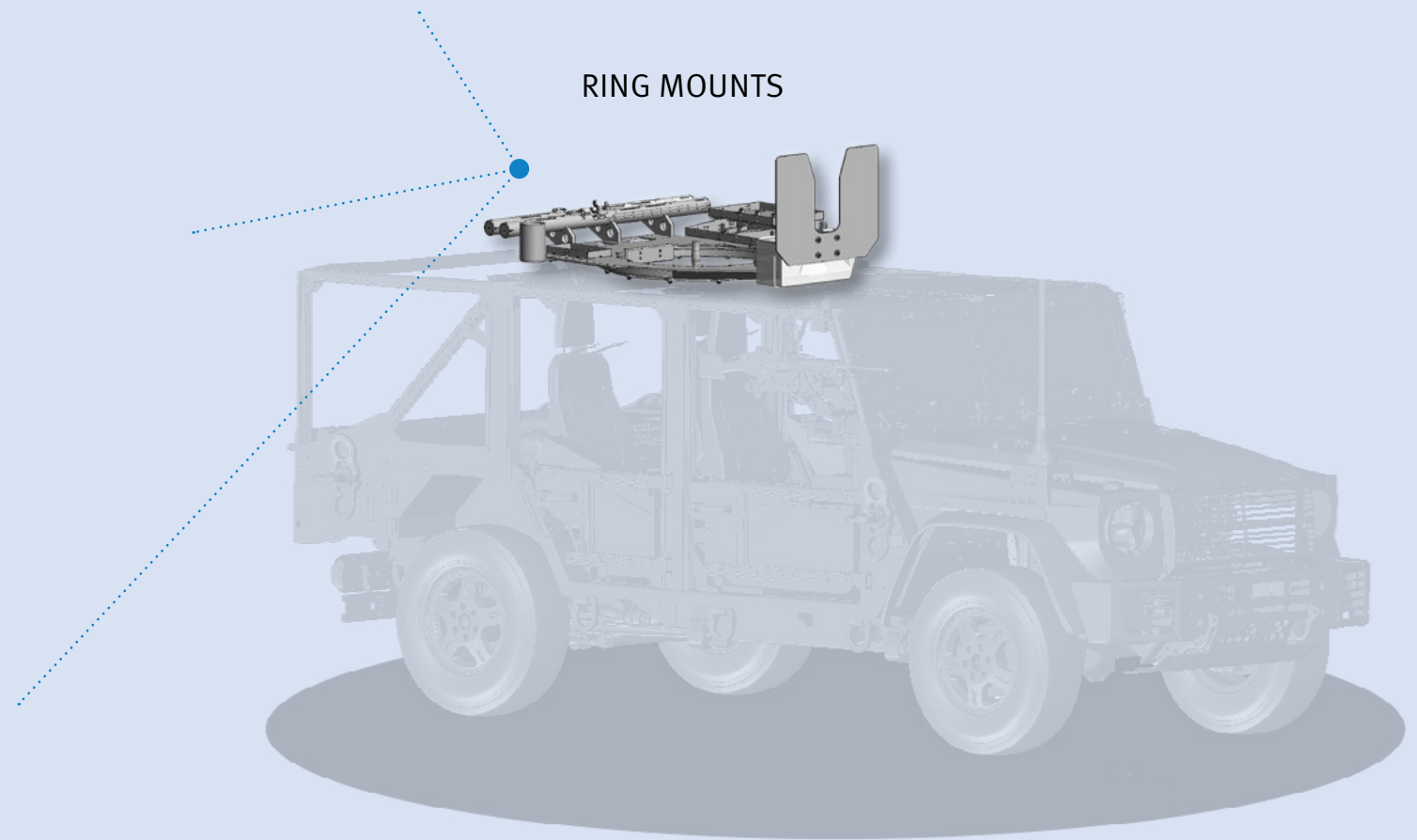




PRODUCTS

RING MOUNTS

PRODUCT CATALOGUE

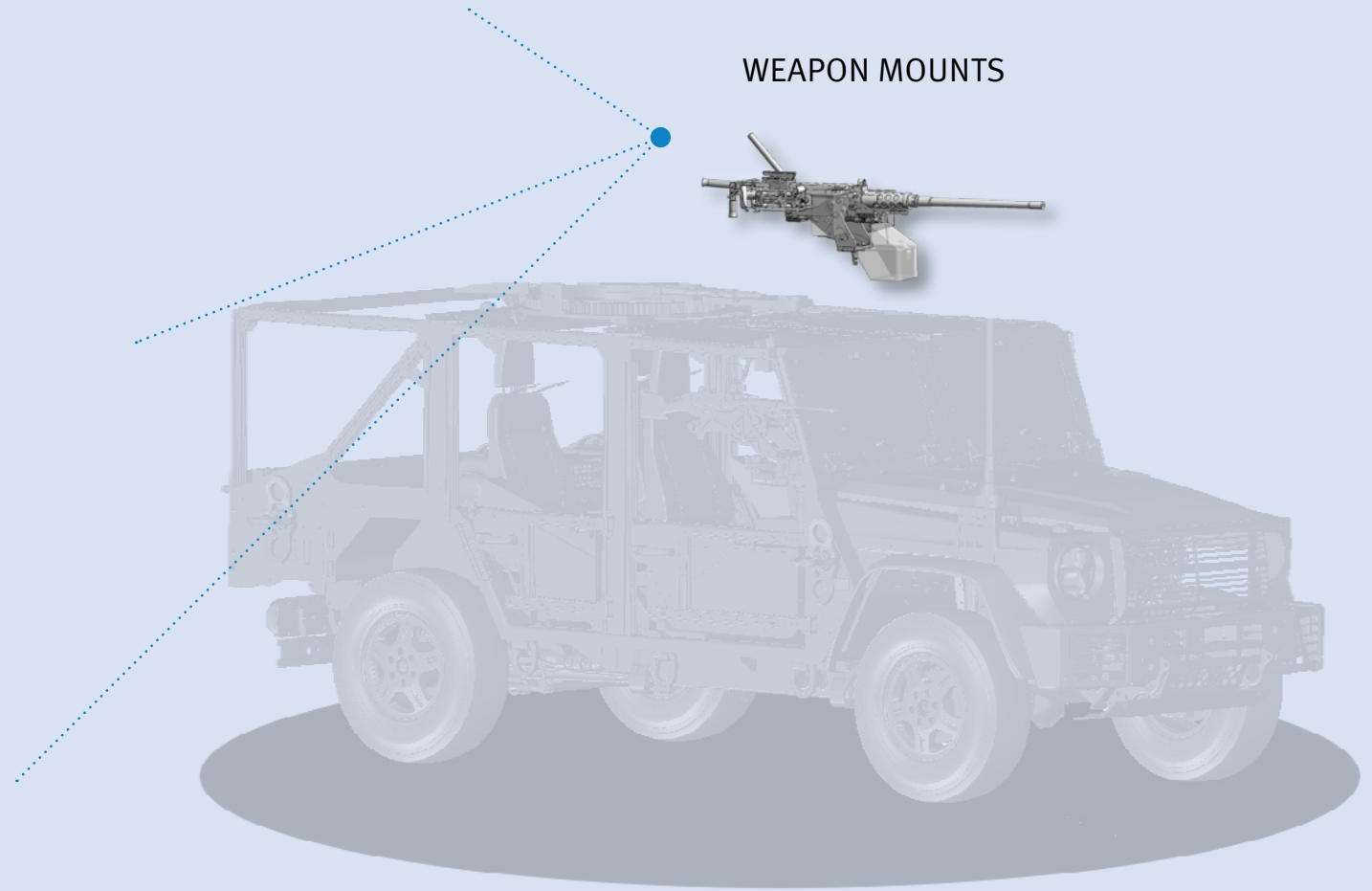


PRODUCTS

PRODUCT CATALOGUE

WEAPON MOUNTS

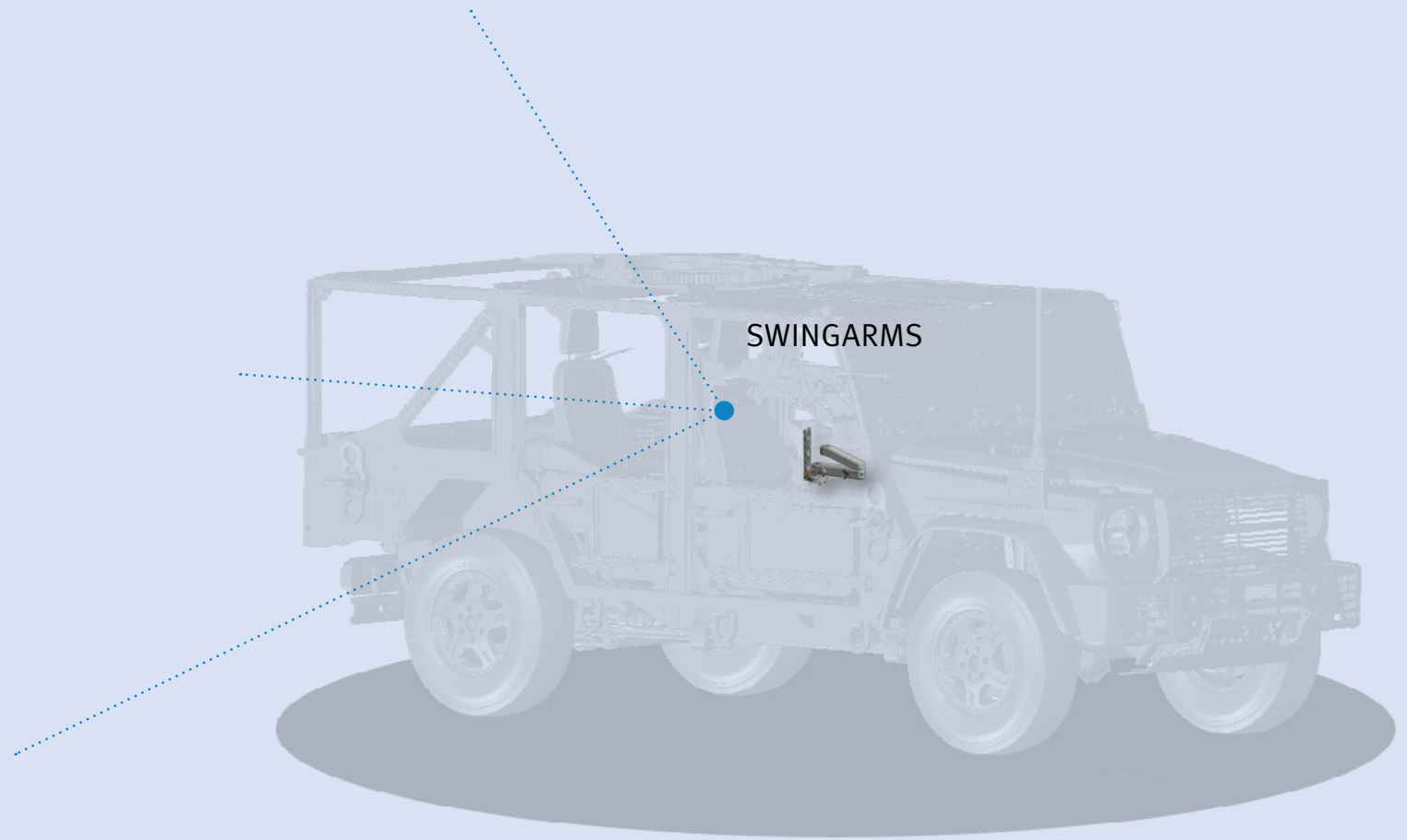
WEAPON MOUNTS



PRODUCTS

PRODUCT CATALOGUE

SWINGARMS

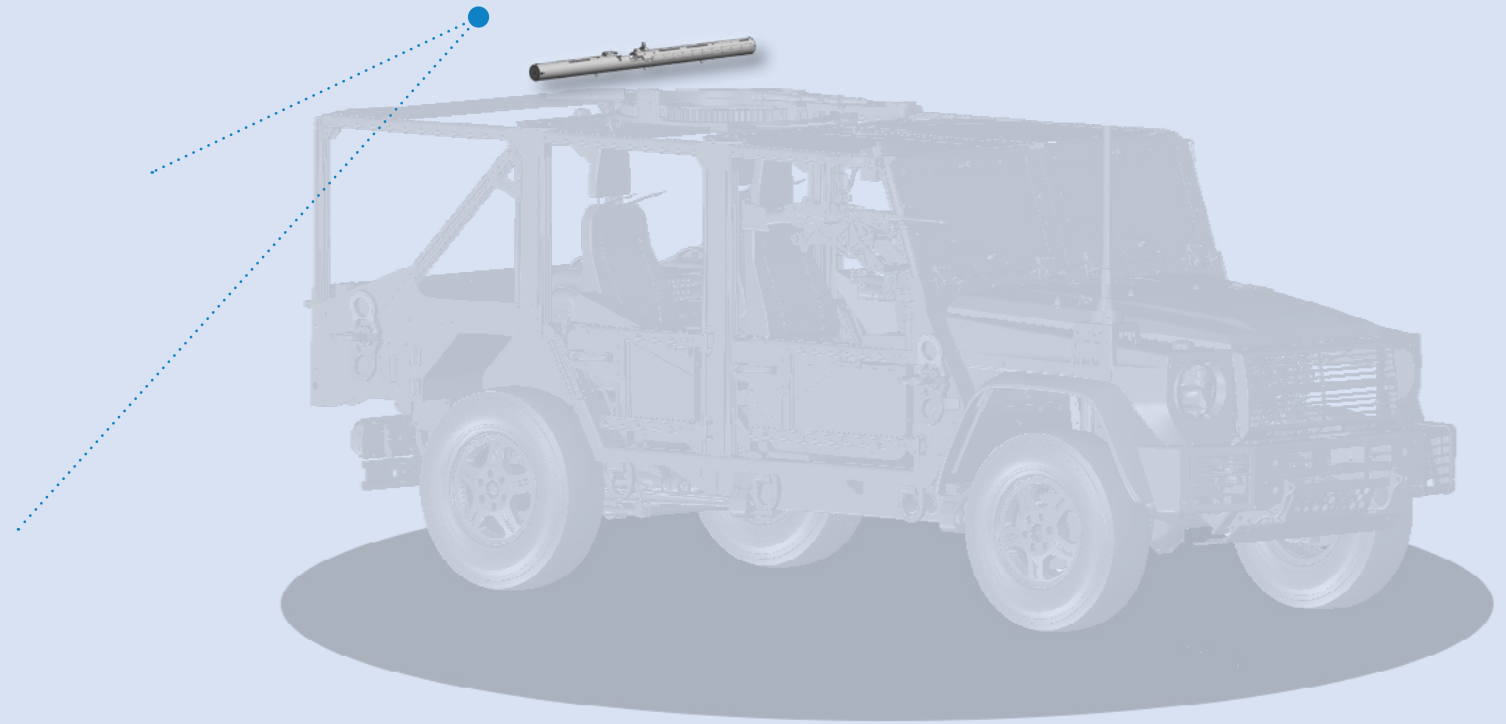


PRODUCTS

PRODUCT CATALOGUE

BARREL HOLDERS

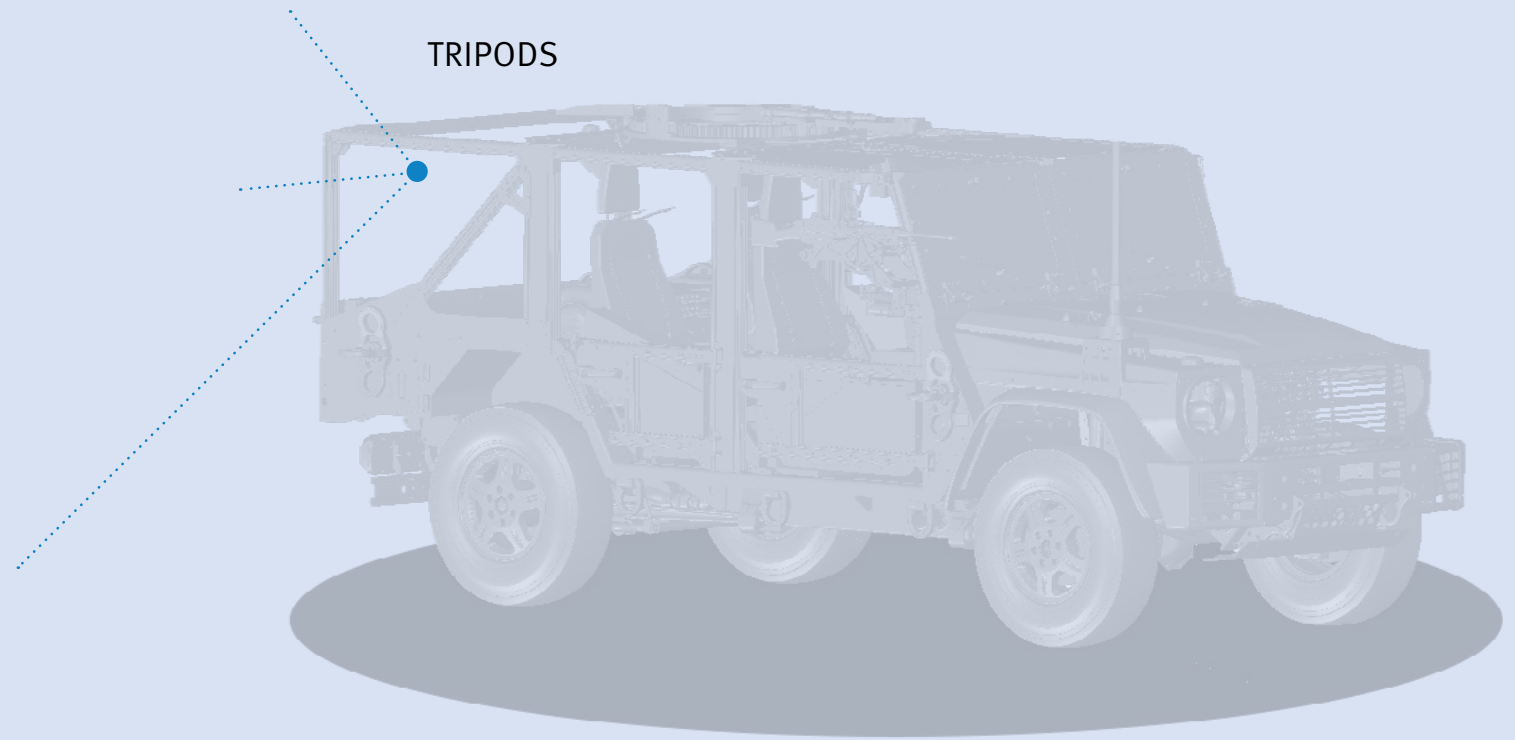
BARREL HOLDERS



PRODUCTS

PRODUCT CATALOGUE

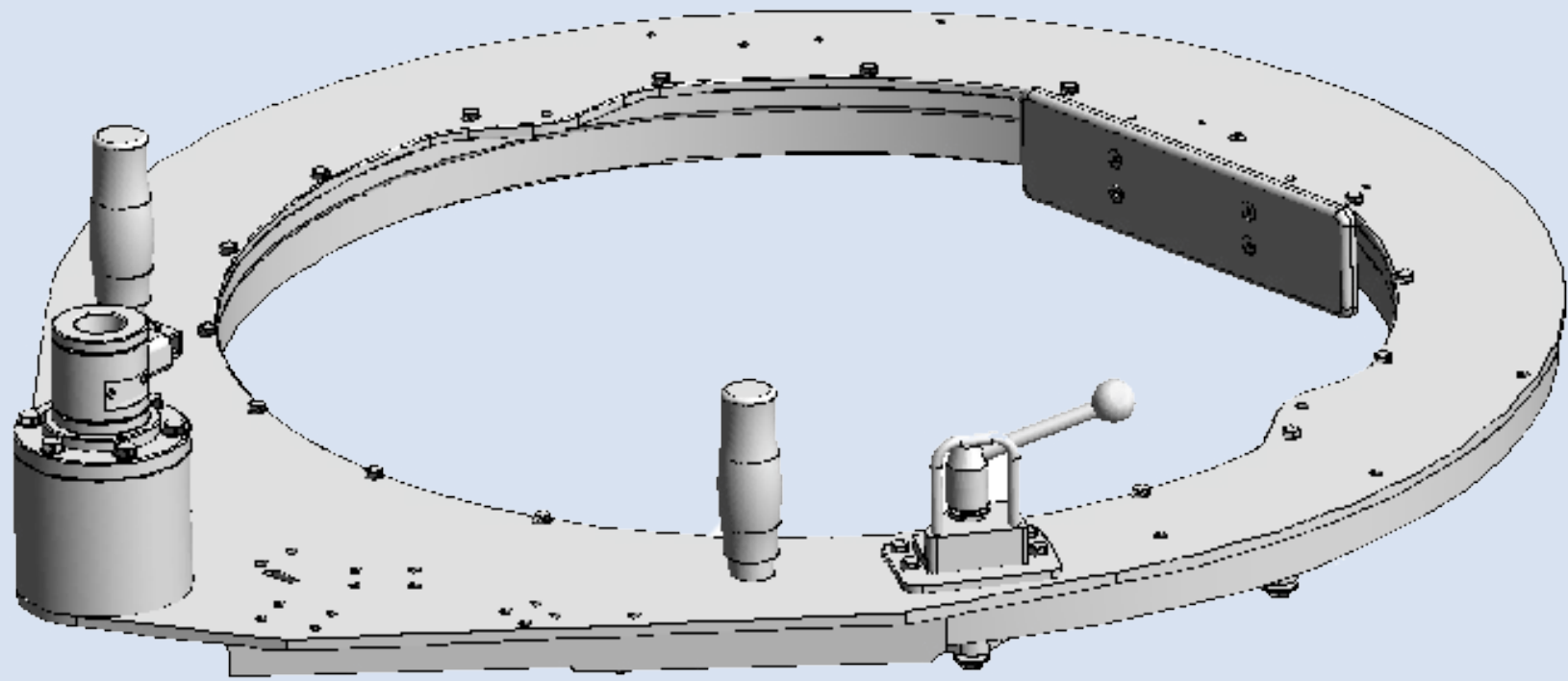
TRIPODS

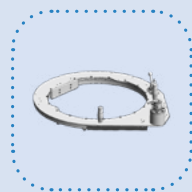
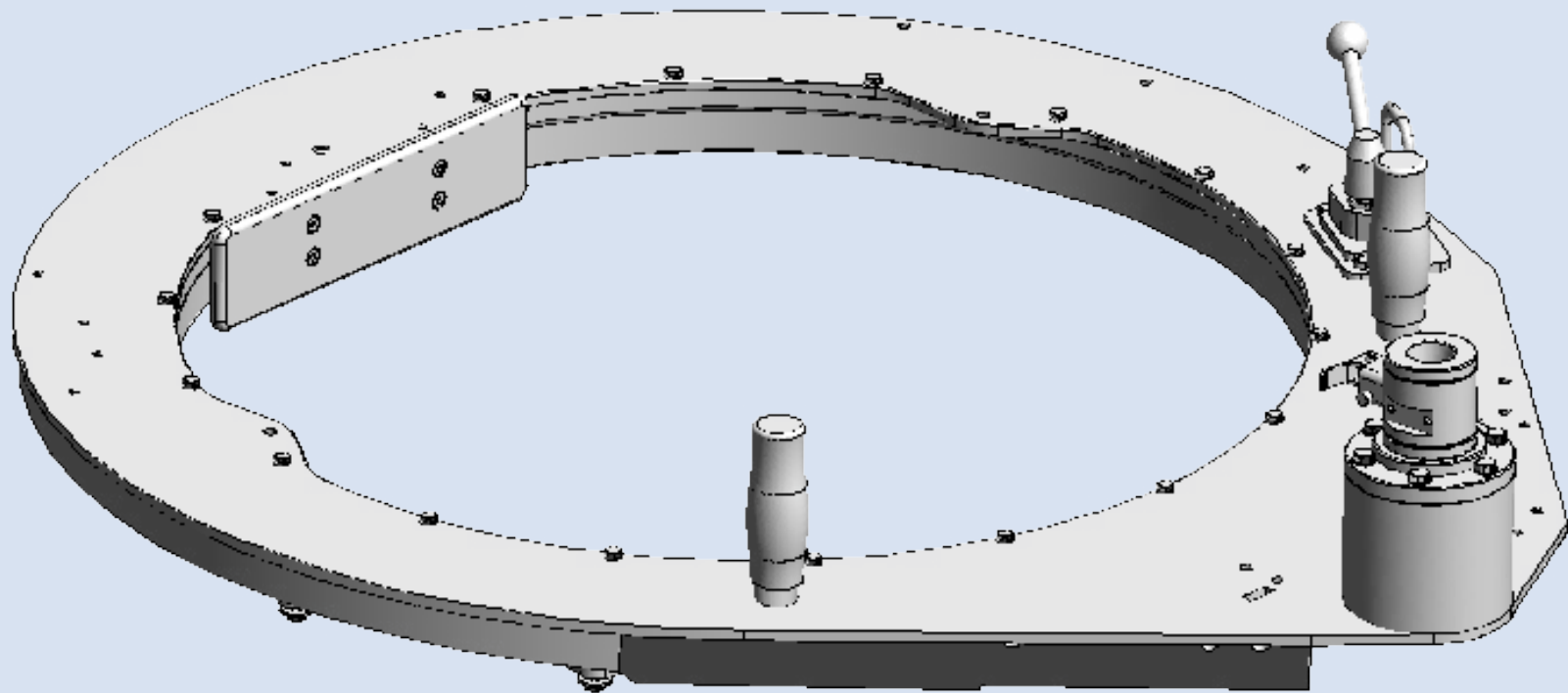


RING MOUNT LIGHT

FEATURES AND BENEFITS

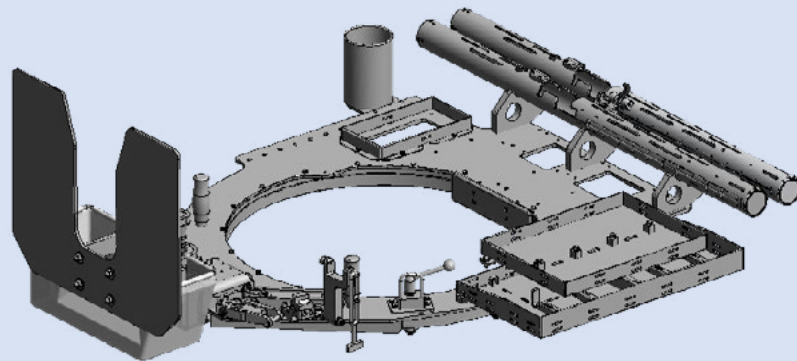
- Improves the vehicle performance as a weapon carrier.
- The operator has situational awareness and works in a clean, familiar work area with room for all necessary personal equipment.
- Designed for add-on solutions, combining different heavy weapons in the same weapon carrier.
- Manually operated with a low friction bearing.
- Includes a rotation lock which enables the ring mount to be locked in any position 360 degrees.
- The extensive range of accessories such as weapon mounts, ammunition box storage, spare barrel holders, personal weapon holders, back rest, ballistic shield, collectors for link and cartridge, transport lock etc. provides the user with functionality to cover all its requirements.
- Weapon mount interface is a G3 cone/STANREC.
- Ring mount can be delivered with a high elevation mechanism for the weapon interface.





RING MOUNT MEDIUM

FEATURES AND BENEFITS

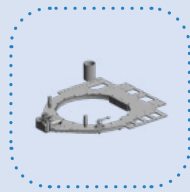
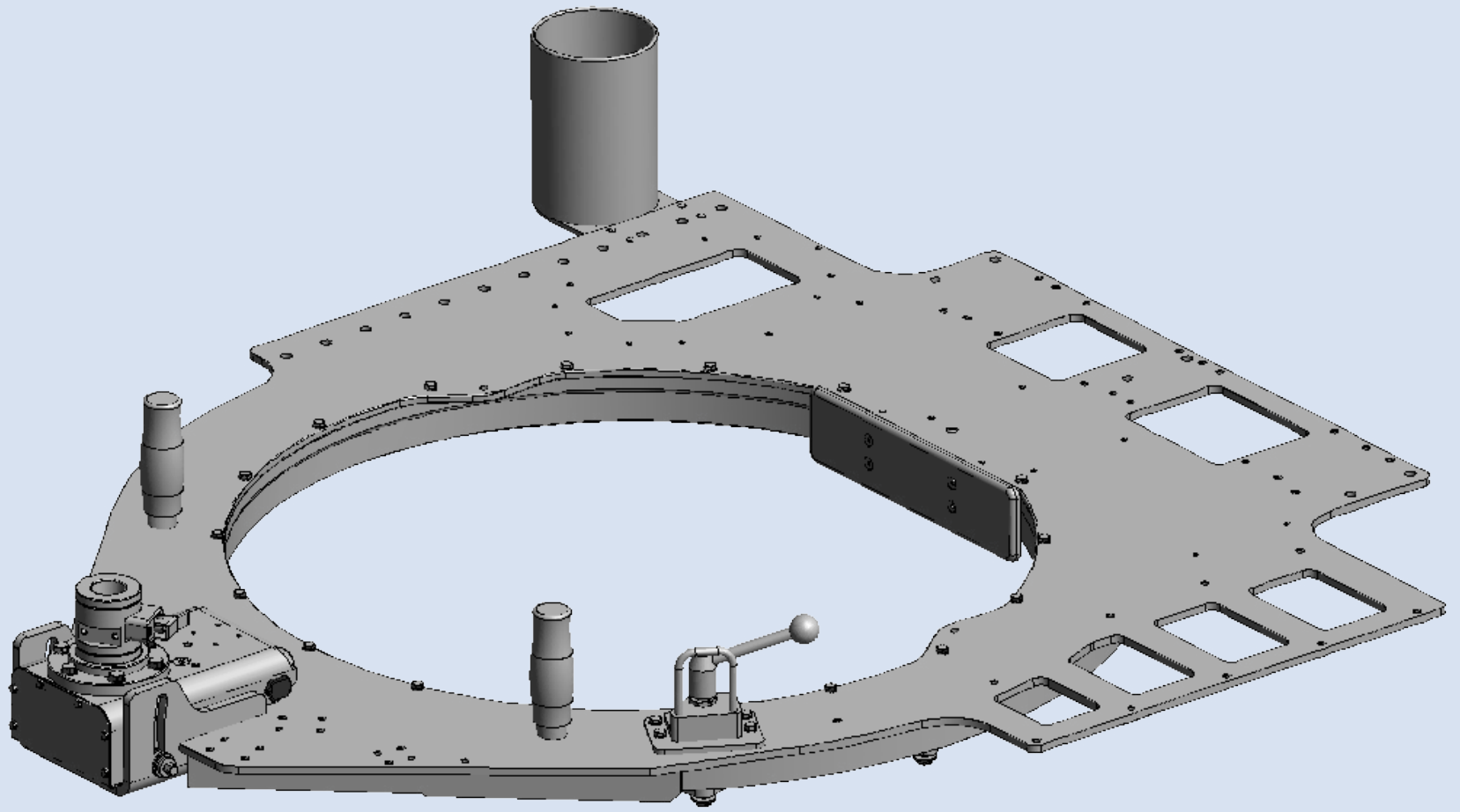


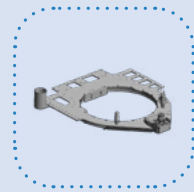
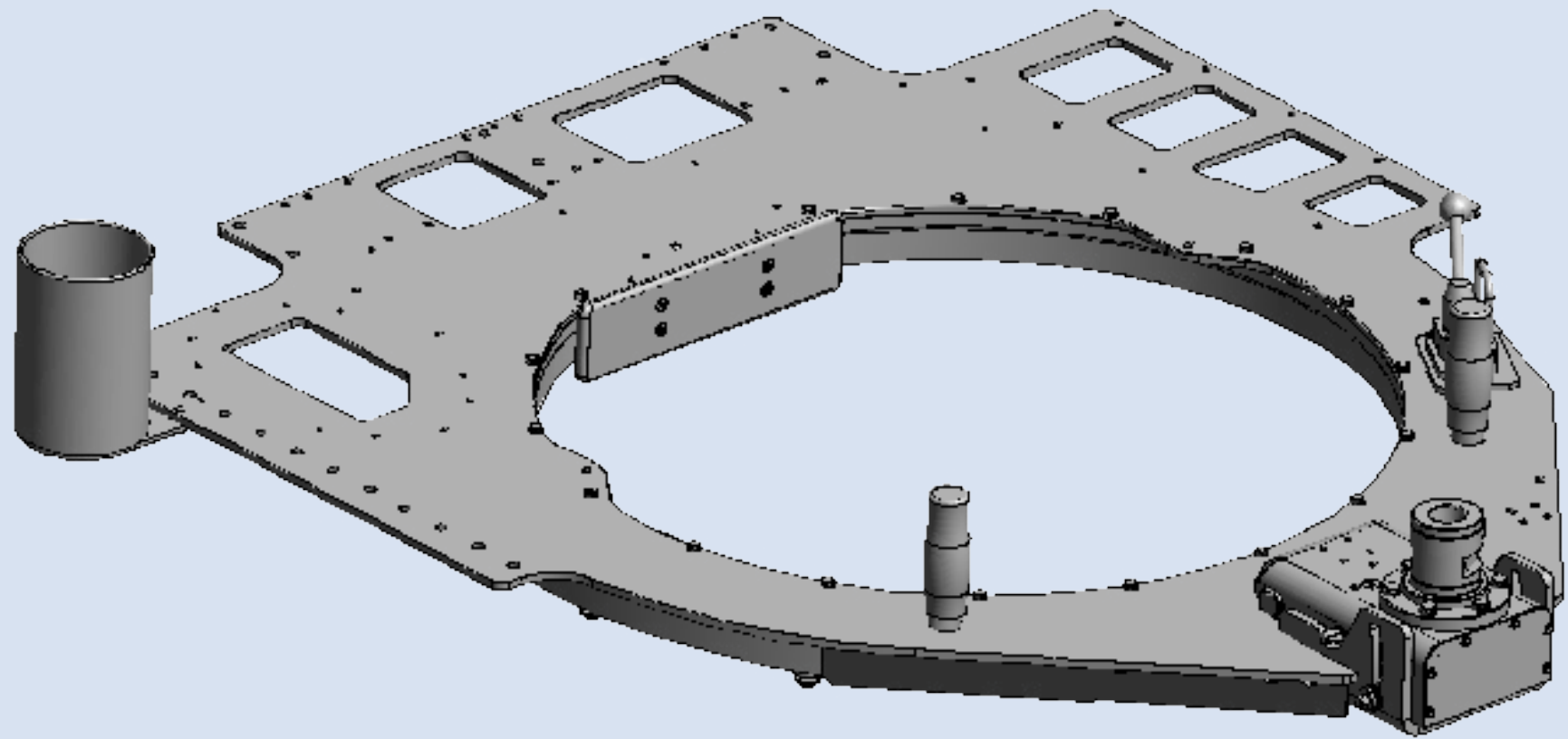
Base with accessories

Base

FEATURES AND BENEFITS

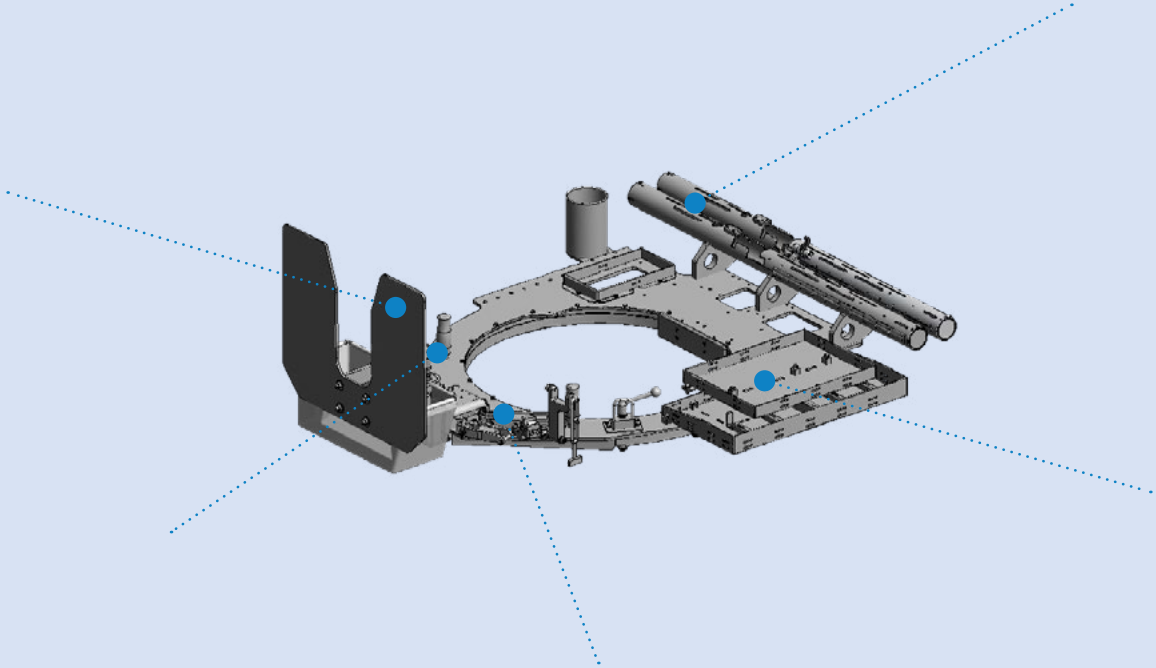
- Improves the vehicle performance as a weapon carrier.
- The operator has situational awareness and works in a clean, familiar work area with room for all necessary personal equipment.
- Designed for add-on solutions, combining different heavy weapons in the same weapon carrier.
- Manually operated with a low friction bearing.
- Includes a rotation lock which enables the ring mount to be locked in any position 360 degrees.
- The extensive range of accessories such as weapon mounts, ammunition box storage, spare barrel holders, personal weapon holders, back rest, ballistic shield, collectors for link and cartridge, transport lock etc. provides the user with functionality to cover all its requirements.
- Weapon mount interface is a G3 cone/STANREC.
- Ring mount also includes a high elevation mechanism for the weapon interface.





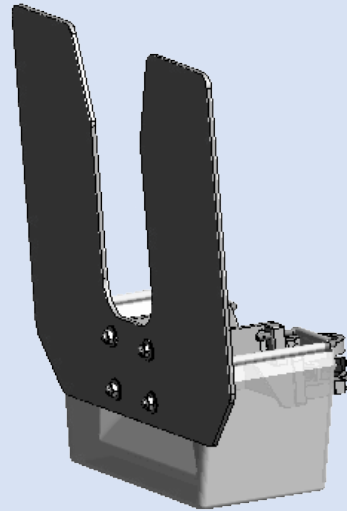
RING MOUNT MEDIUM

ACCESSORIES

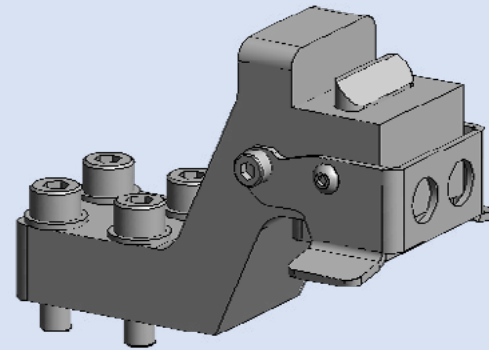


RING MOUNT MEDIUM

BALLISTIC SHIELD SYSTEM



Ballistic Shield system



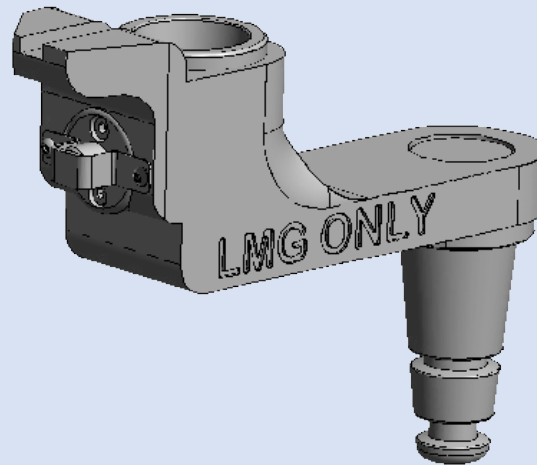
Transport Lock for Ballistic Shield

FEATURES AND BENEFITS

- Ballistic front shield can be delivered in different sizes and material to fulfill different ballistic protection levels.
- Includes Collector bag for 12,7 mm cartridges.
- Collector bag is easy mounted and dismounted on front shield support without use of tools.
- Front shield follows the weapon mount.
- Transport lock is used without any tools.

RING MOUNT MEDIUM

LMG ADAPTER

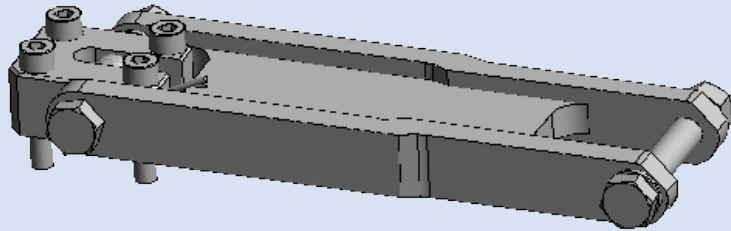


FEATURES AND BENEFITS

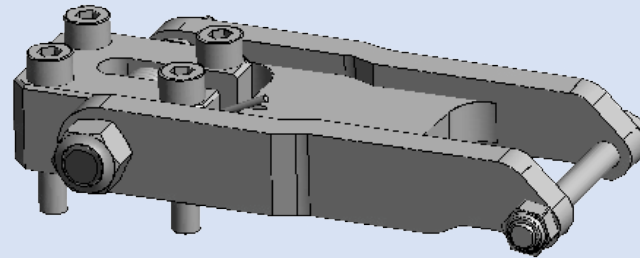
- Adapter to use when mounting LMG weapon in pivot holder on ring mount.
- Need to be used to get a optimal position of the LMG weapons in ring mount.

RING MOUNT MEDIUM

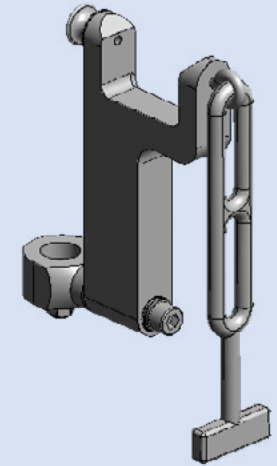
TRANSPORT LOCK



Transport Lock M2



Transport Lock MMG/LMG



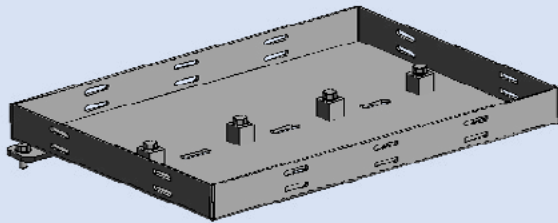
Transport Lock MG3

FEATURES AND BENEFITS

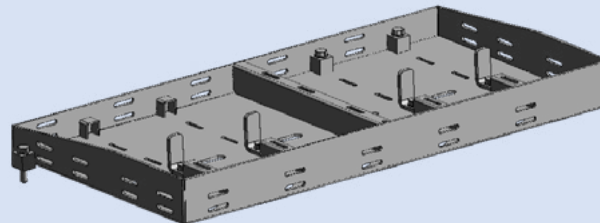
- Transport locks are operated without tools.
- Transport locks M2 and MMG/LMG has a spring so it will lie down on the ring mount when not used.

RING MOUNT MEDIUM

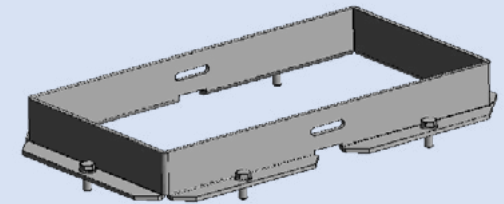
AMMUNITION BOX STORAGE



Ammunition box storage for PA120



Ammunition box storage for M2A1-M19A1



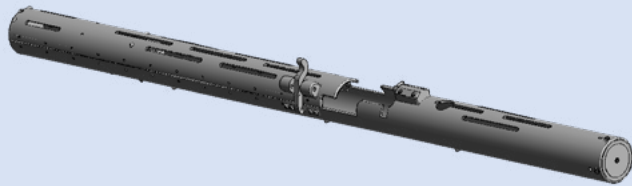
Ammunition box storage for M2A1

FEATURES AND BENEFITS

- Ammunition box storage for PA120: room for 2x PA120 boxes or 3x M19A1.
- Ammunition box storage for M2A1-M19A1: room for 4x M2A1 or 5x M19A1.
- Ammunition box storage for M2A1: room for 1x M2A1. Can be used as a interface for a tool box.
- Ammunition boxes are mounted on ring mout with standard tool.
- Interface for straps to secure ammunition boxes, straps can be delivered.

RING MOUNT MEDIUM

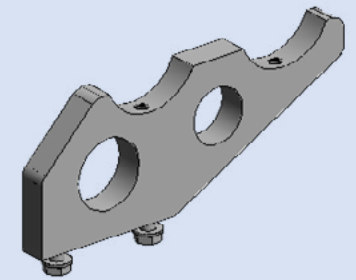
BARREL HOLDER



Barrel Holder Right-Hand



Barrel Holder Left-Hand



Interface Barrel Holders system

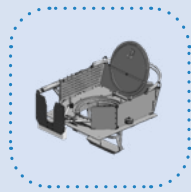
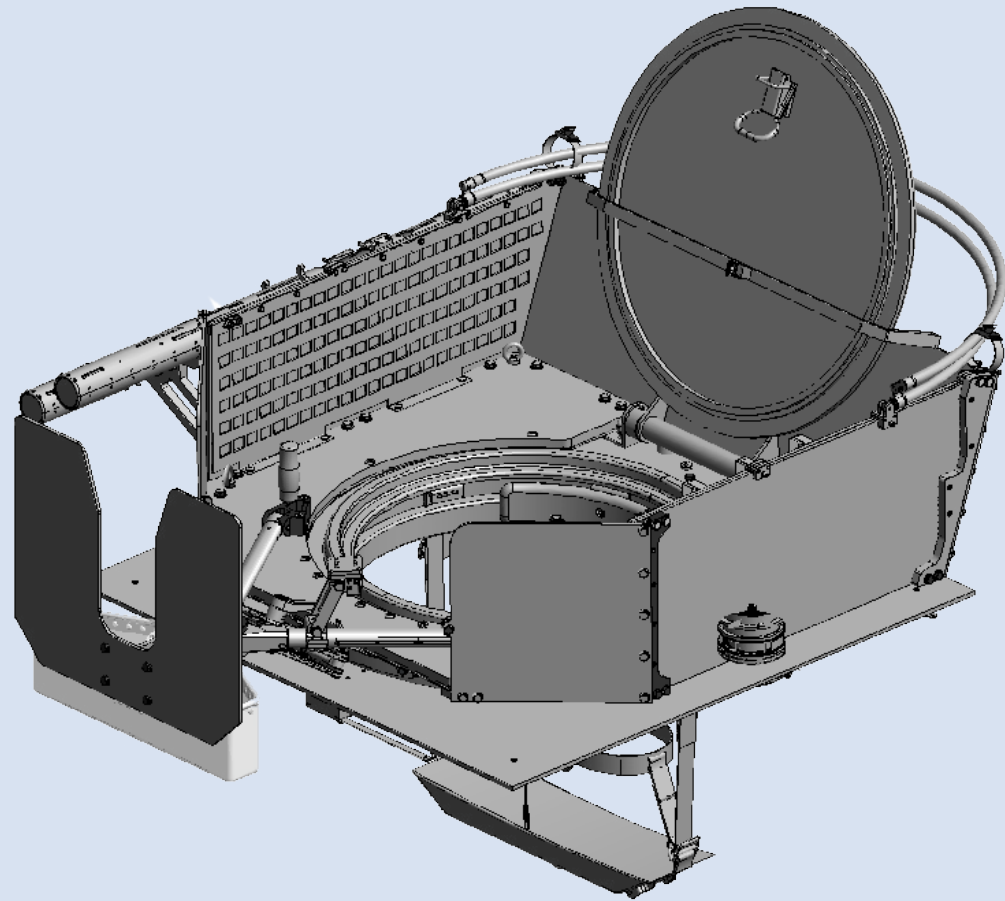
FEATURES AND BENEFITS

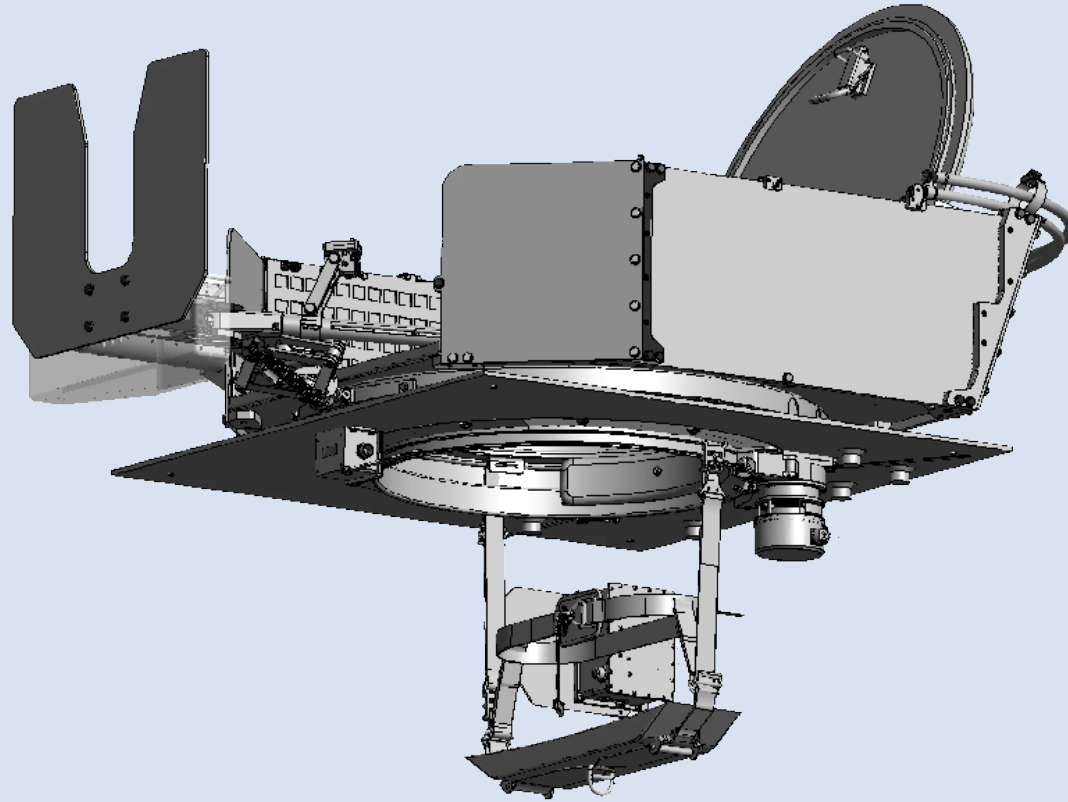
- Barrel holder right and barrel holder left is mounted on the rear of the ring mount.
- Mounted to the ring mount with standard tools.

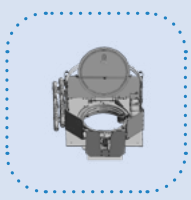
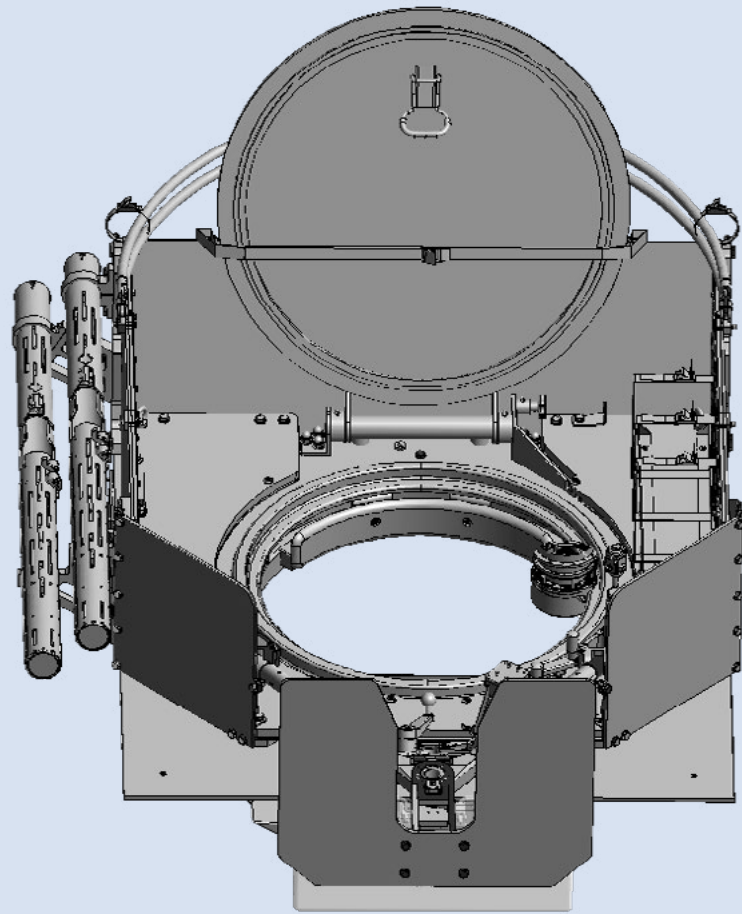
RING MOUNT PROTECTED

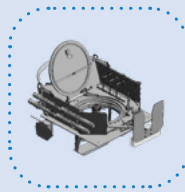
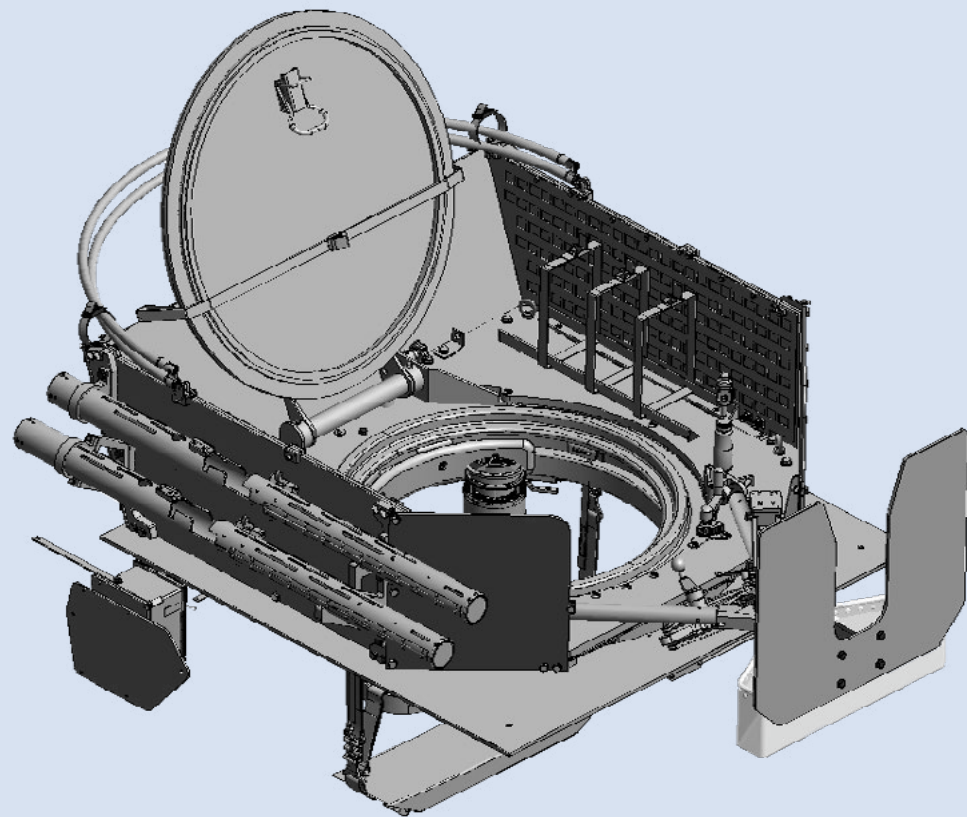
FEATURES AND BENEFITS

- Electrical rotated (8 sec/ 360°), with manual rotation as backup. Electrical drive can be replaced with a manual crank system.
- Modular Protection from STANAG Level K1 to STANAG Level K3.
- The elevation mechanism increases the weapon maximum elevation and improves the ergonomics for the operator.
- The canopy cover the gunner's silhouette in the horizontal plane and to protect against the environment and thrown objects.
- Accessories includes sling seat and back rest for improved ergonomics, ammunition box storage within the protected ring, spare barrel holders, transport lock for weapon mount, ballistic front shield and storage system for personal equipment.







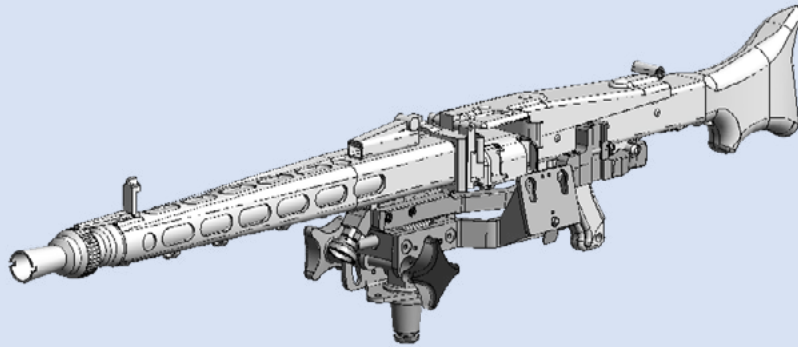


SOFTMOUNTS MMG/LMG

MODELS

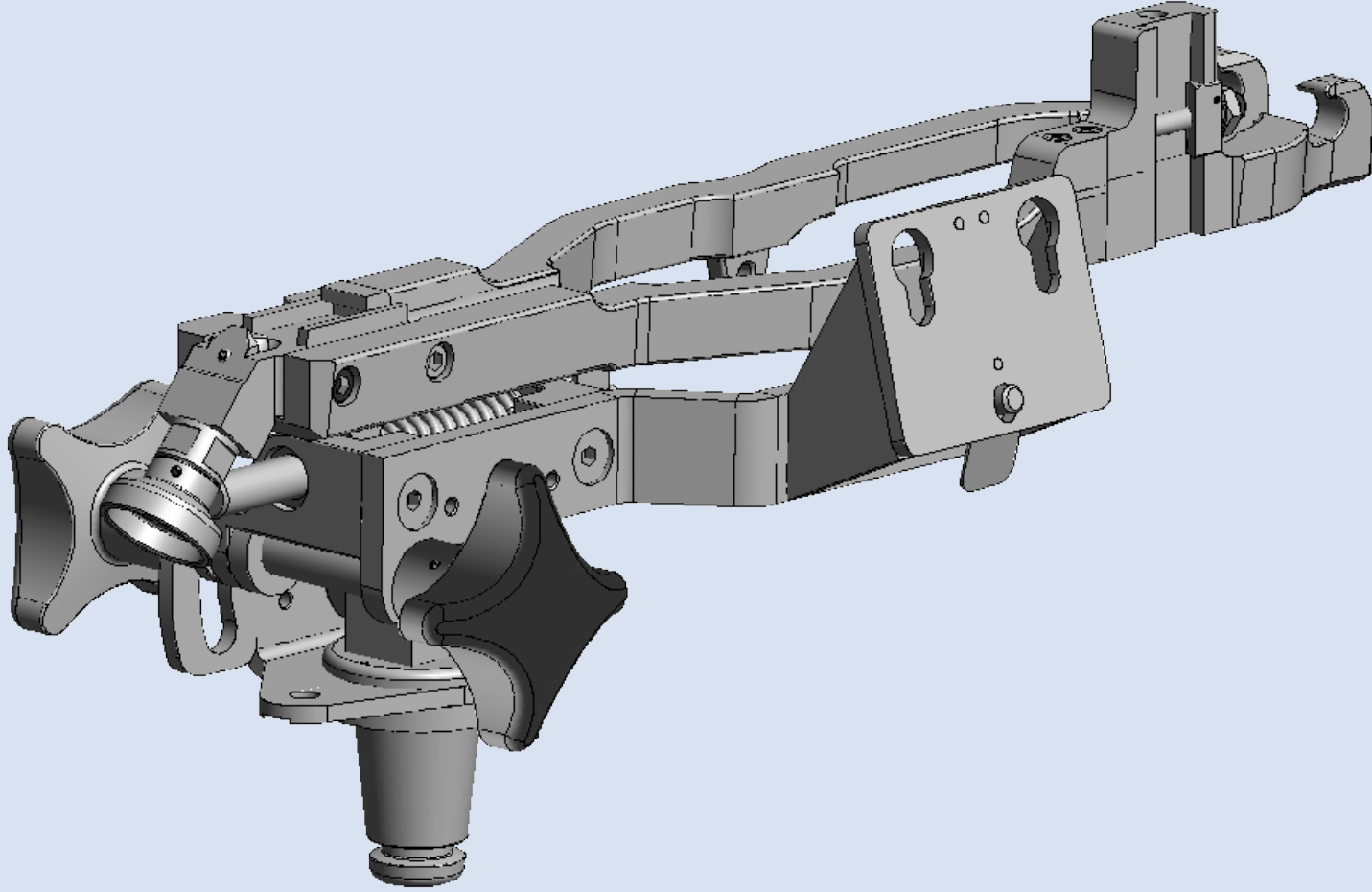
SOFTMOUNT MG-3

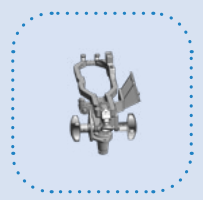
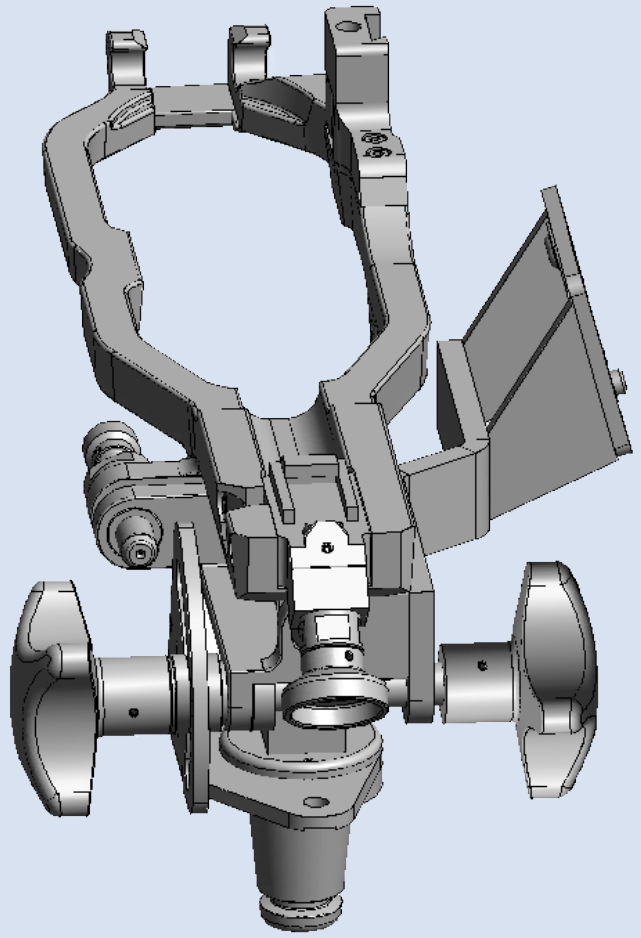
FEATURES AND BENEFITS

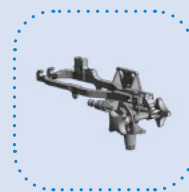
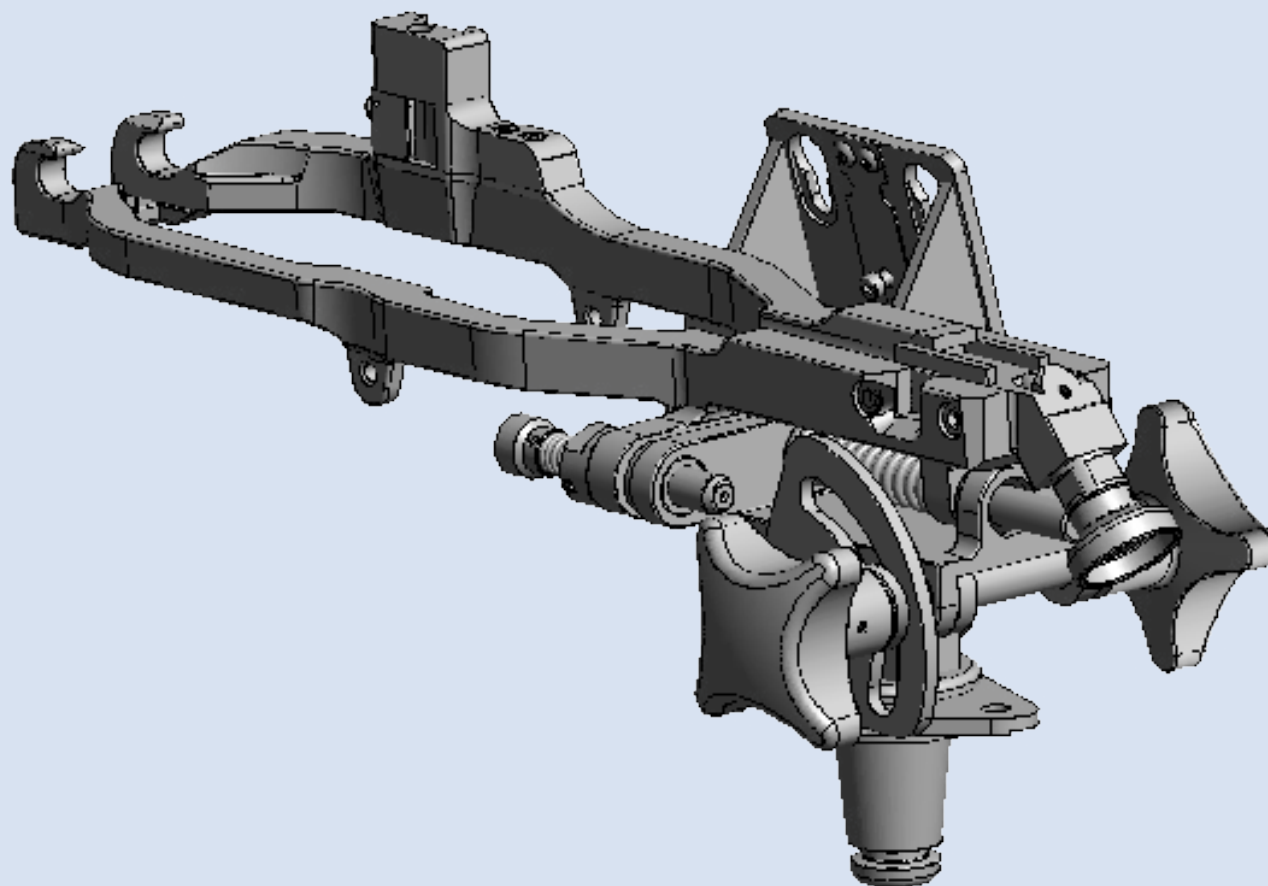


FEATURES AND BENEFITS

- Light weighted weapon mount for MG-3.
- The weapon mount has a recoil damping system that reduce the strain on the mounting.
- The mount will increase the accuracy, the grouping and first hit probability.
- The weapon mount is designed with a elevation control and plonge limiter.
- Can be delivered with ammunition box carrier and link and cartridge collector system.

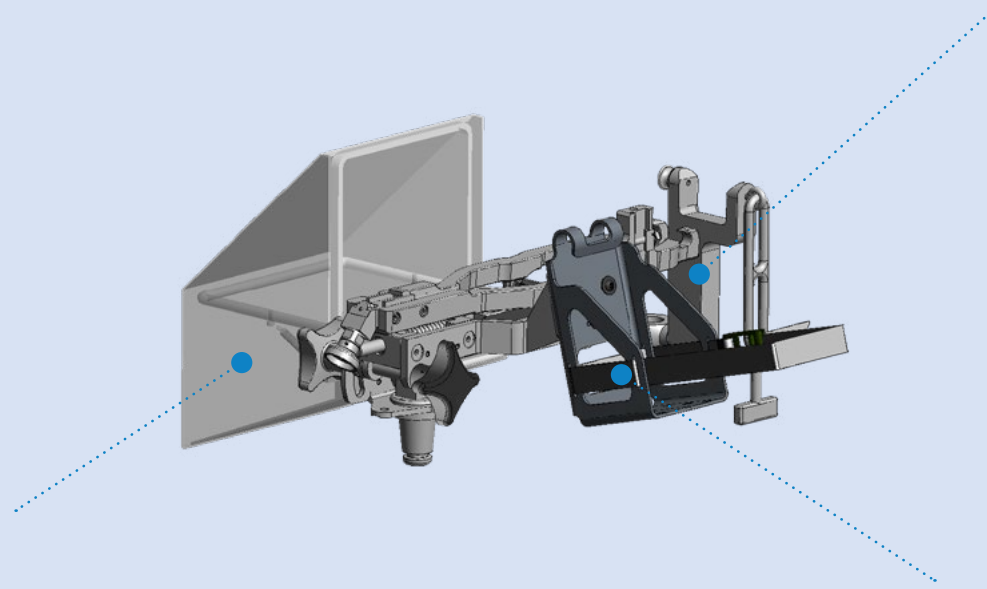






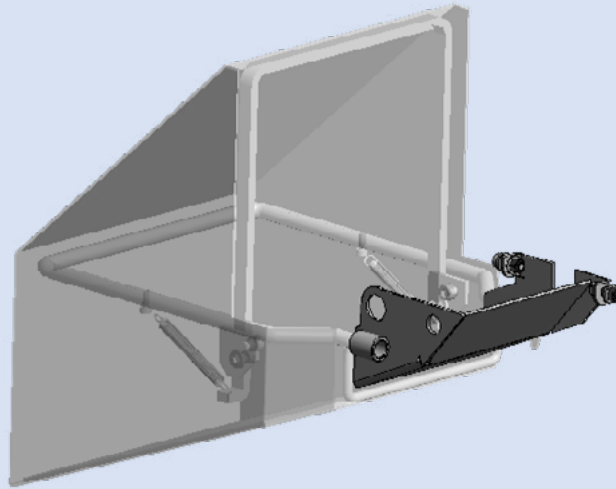
SOFTMOUNT MG-3

ACCESSORIES



SOFTMOUNT MG-3

CARTRIDGE COLLECTOR SYSTEM

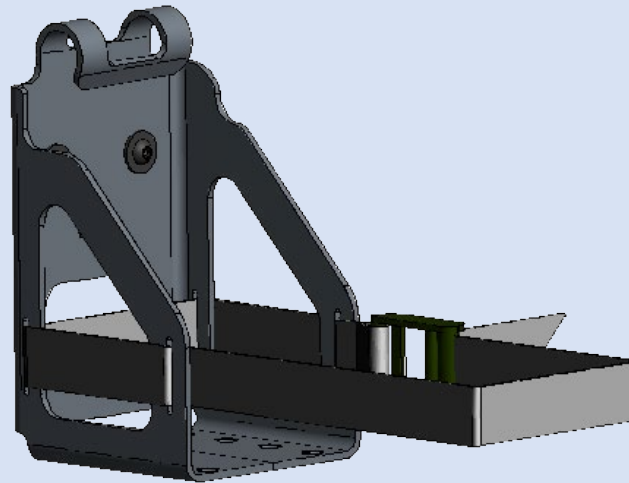


FEATURES AND BENEFITS

- Cartridge collector system collects link and cartridge for softmount MG-3.
- Installed, removed and emptied without tools.

SOFTMOUNT MG-3

AMMUNITION BOX CARRIER

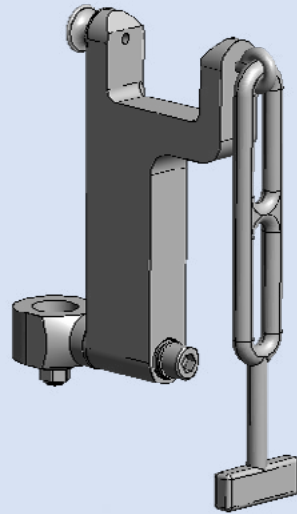


FEATURES AND BENEFITS

- Ammunition box carrier for M19A1.
- The ammunition box is secured with a strap.
- Can be mounted and dismounted without use of tools.

SOFTMOUNT MG-3

TRANSPORT LOCK

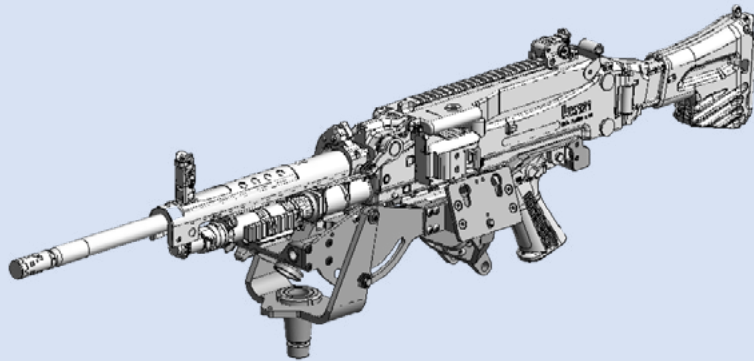


FEATURES AND BENEFITS

- The transport lock secure the wepon mount when the weapon mount are not in use.
- The transport lock are operated without tools.

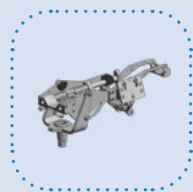
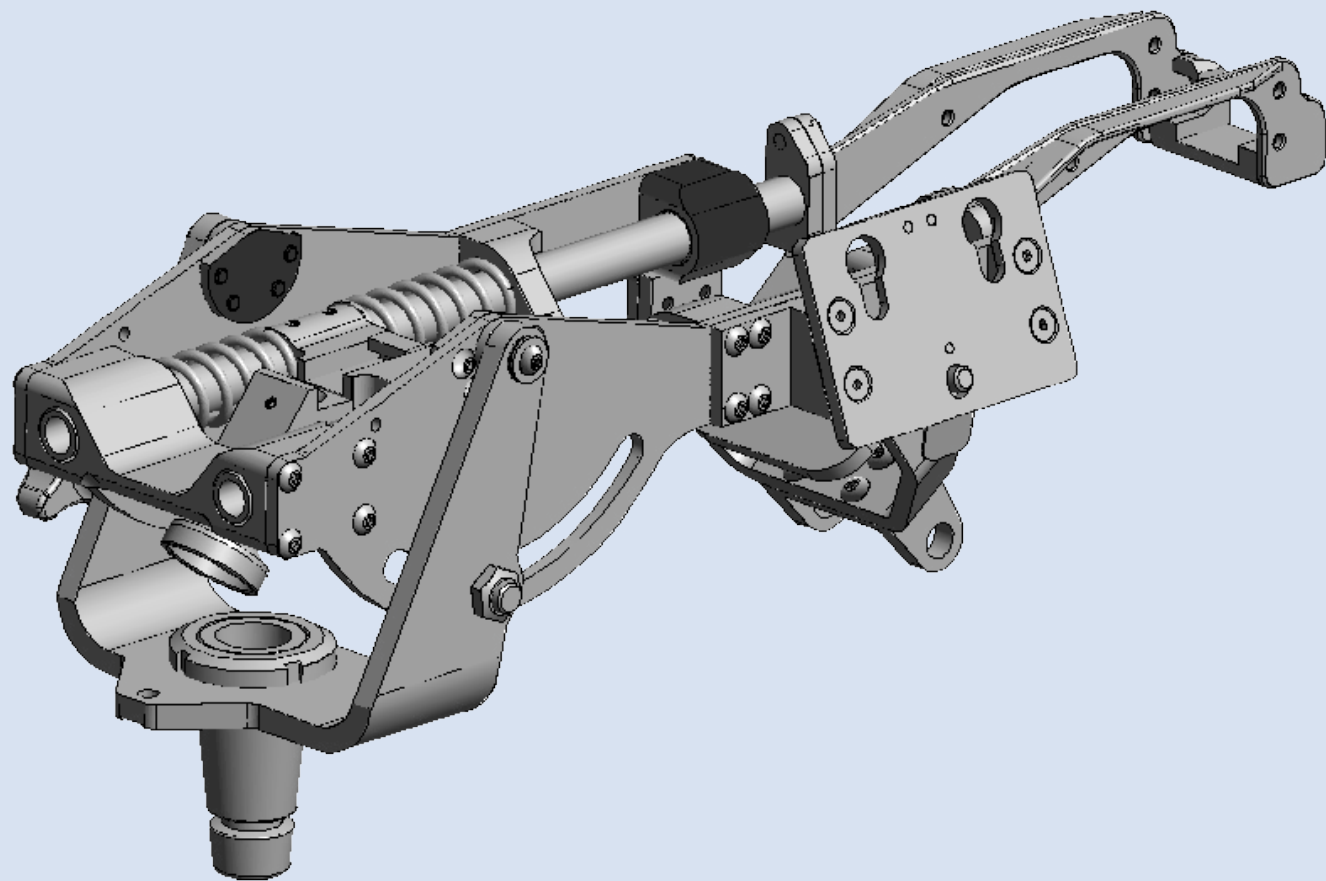
SOFTMOUNT MG-5

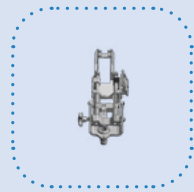
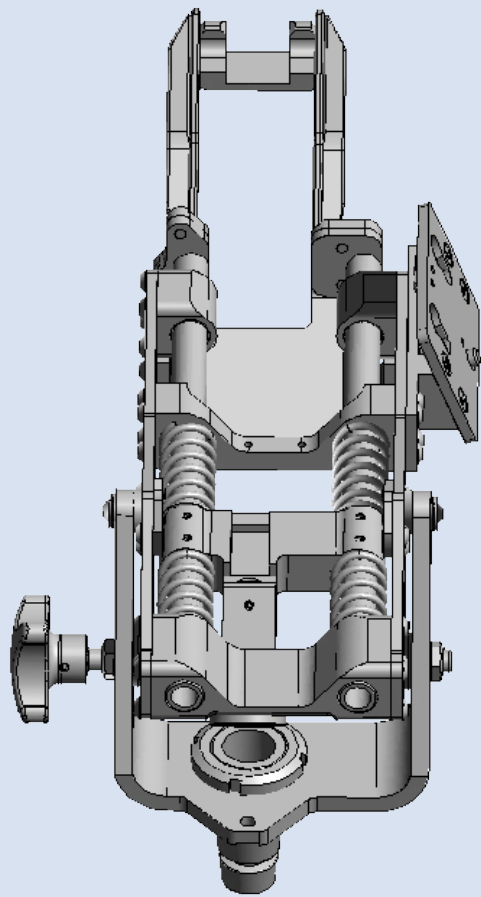
FEATURES AND BENEFITS

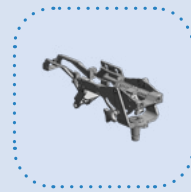
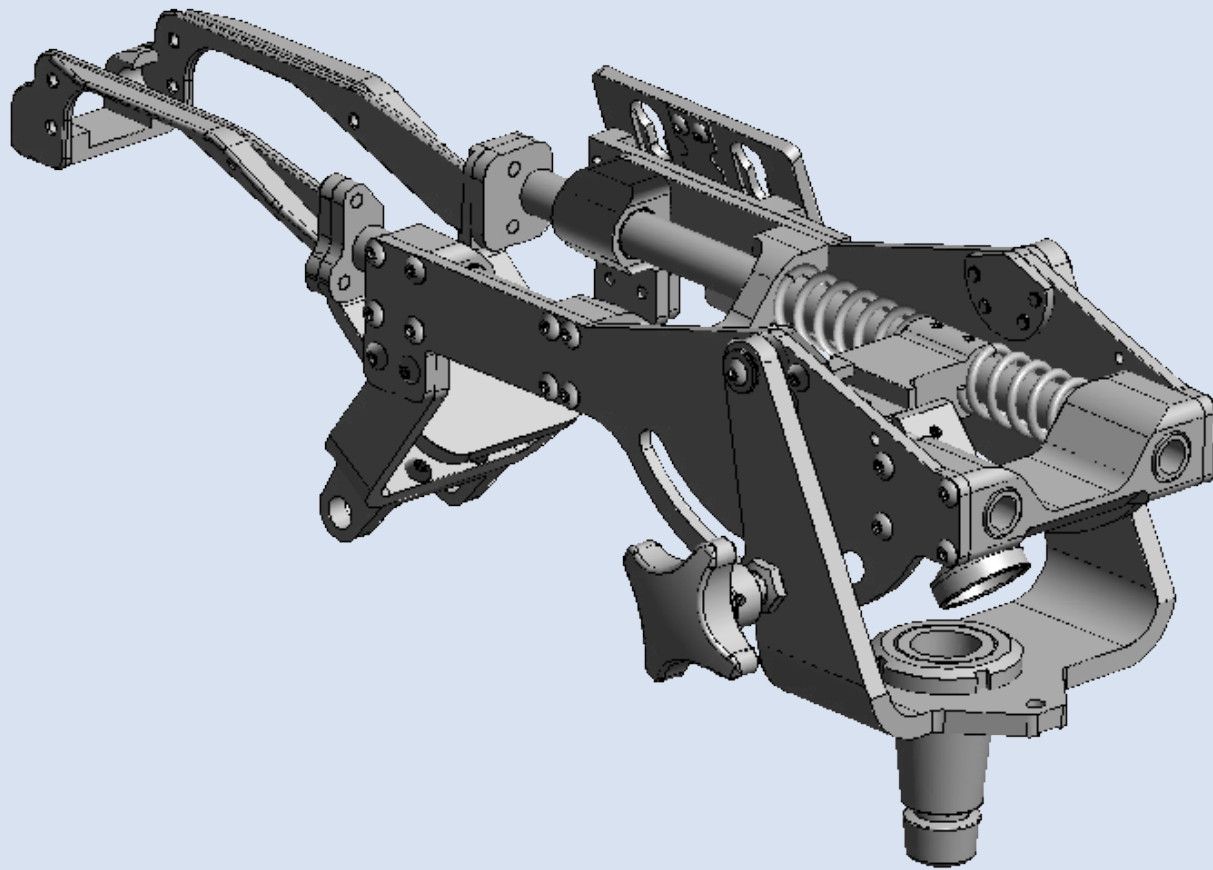


FEATURES AND BENEFITS

- Light weighted Weapon mount for MG-5.
- The weapon mount has a recoil damping system that reduce the strain on the mounting, increase the accuracy, the grouping and first hit probability.
- The weapon mount is designed with a elevation control and plonge limiter.
- Can be delivered with ammunition box holder and link and cartridge collector system.

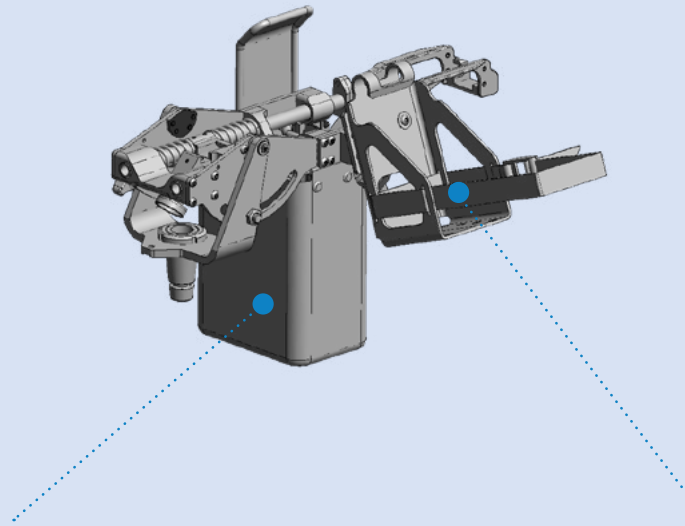






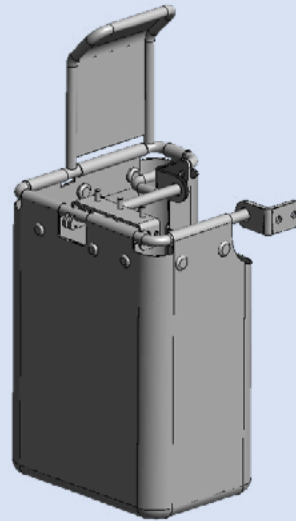
SOFTMOUNT MG-5

ACCESSORIES



SOFTMOUNT MG-5

LINK AND CARTRIDGE COLLECTOR SYSTEM

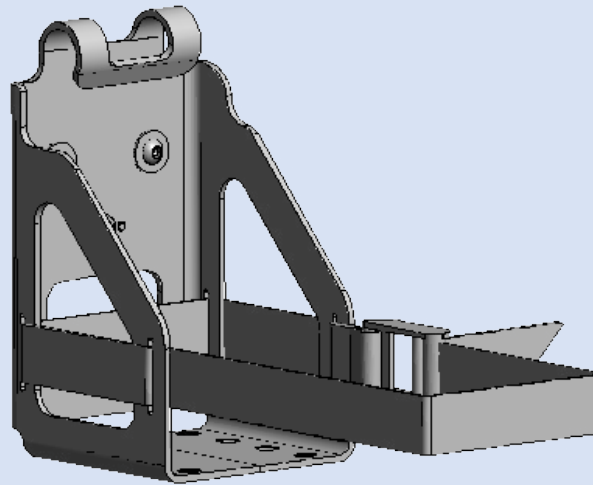


FEATURES AND BENEFITS

- Cartridge collector system collects link and cartridge for softmount MG-5.
- Installed, removed and emptied without tools.

SOFTMOUNT MG-5

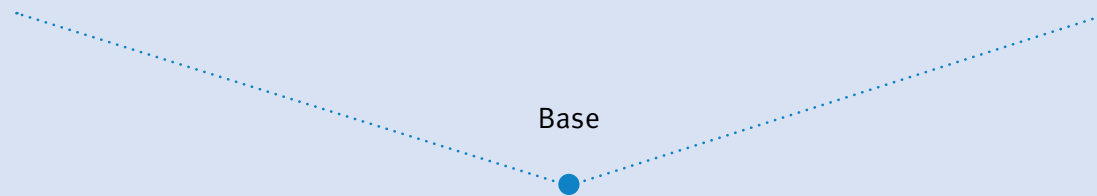
AMMUNITION BOX CARRIER



FEATURES AND BENEFITS

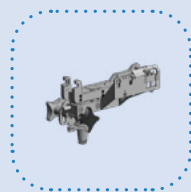
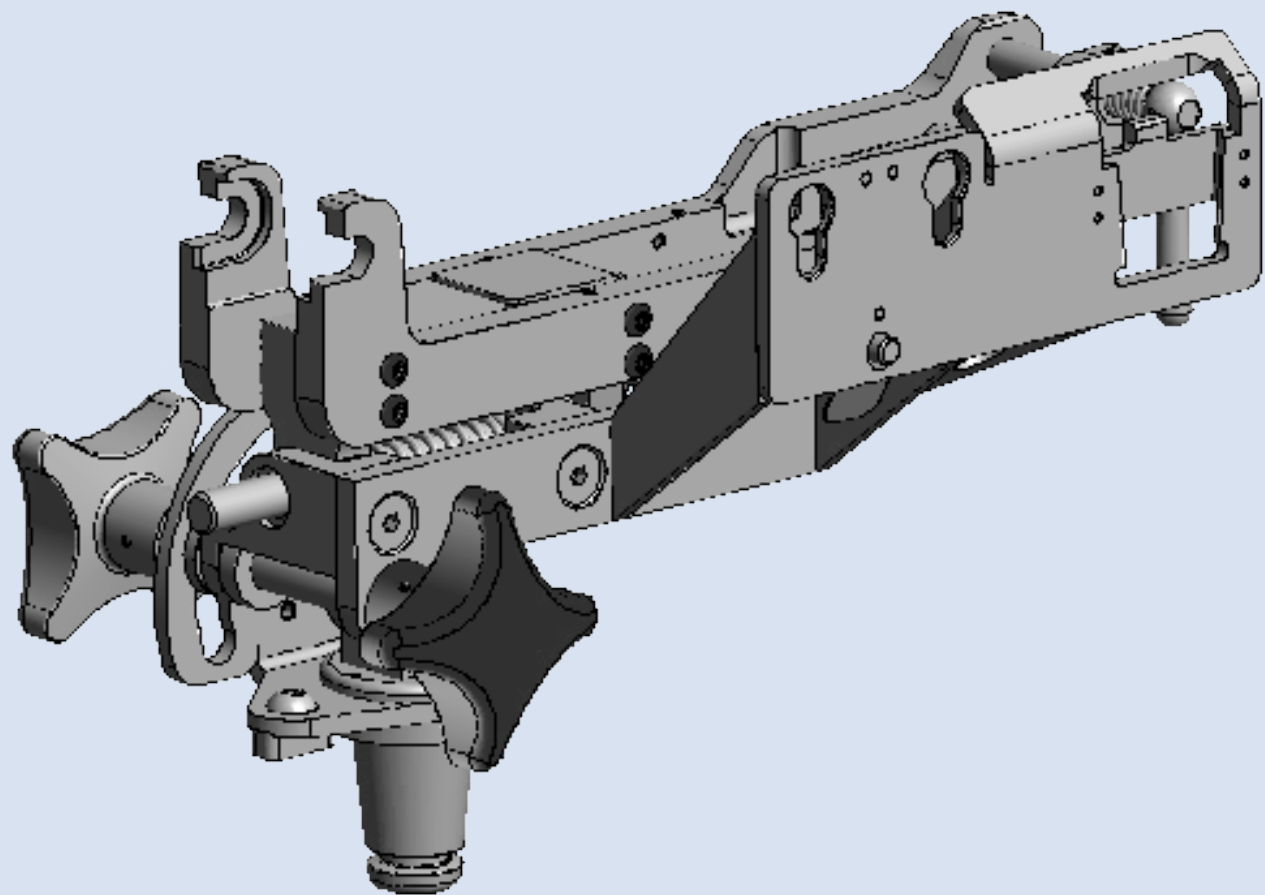
- Ammunition box carrier for M19A1.
- The ammunition box is secured with a strap.
- Can be mounted and dismounted without use of tools.

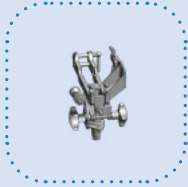
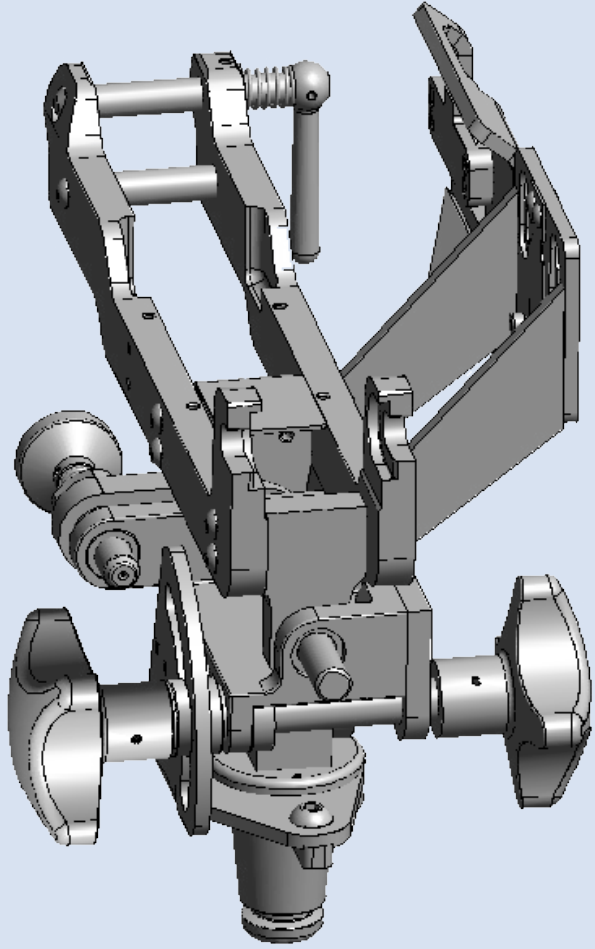
SOFTMOUNT MAG58/MINIMI

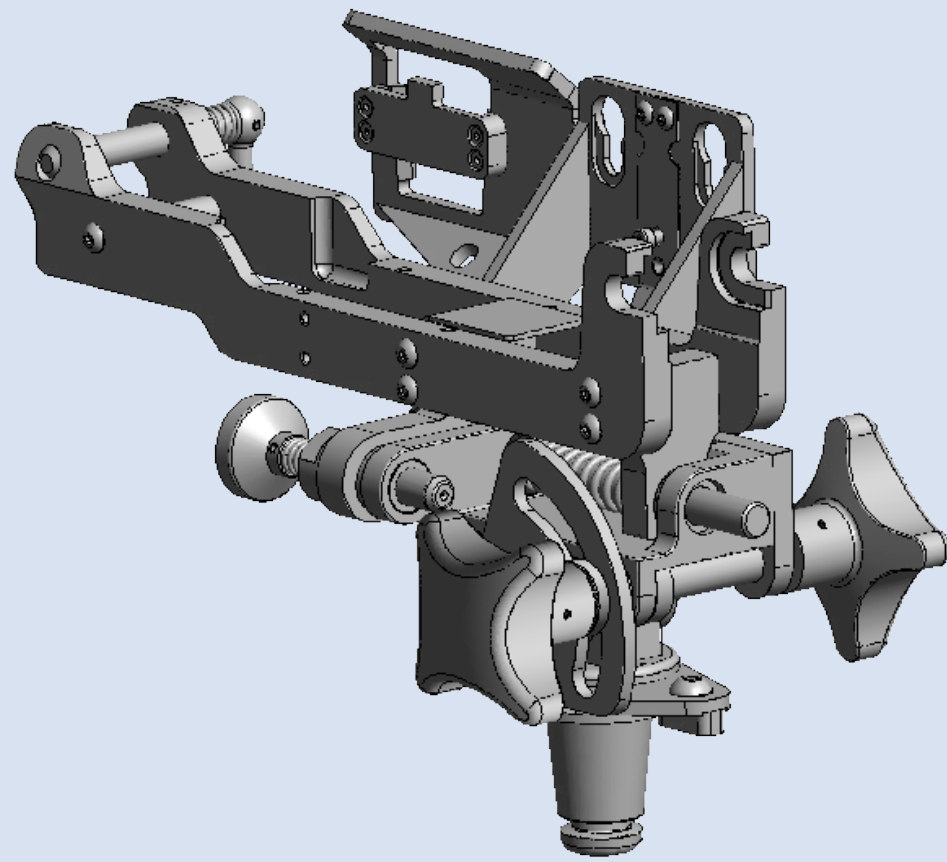


FEATURES AND BENEFITS

- Light weighted weapon mount for MAG58/MINIMI.
- The weapon mount has a recoil damping system that reduce the strain on the mounting, increase the accuracy, the grouping and first hit probability.
- The weapon mount is design with a elevation contol and plonge limiter.
- Can be delivered with ammo box holder, collector for link and cartridge and transport lock.

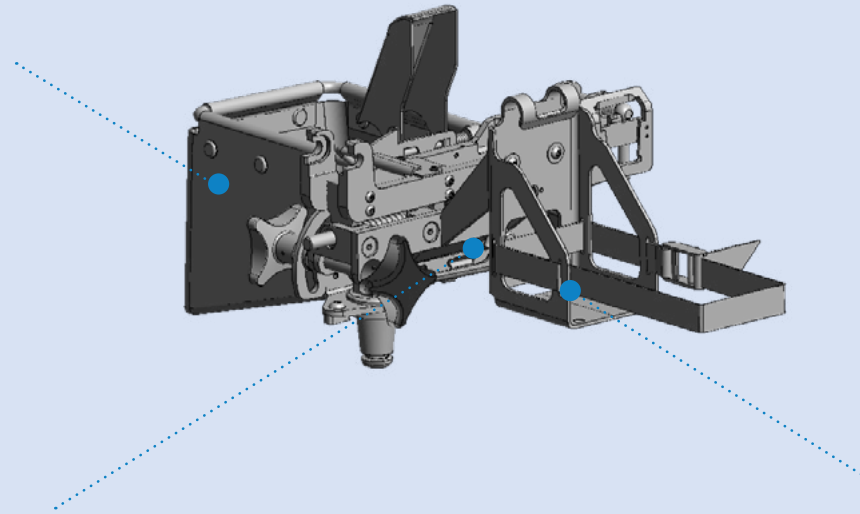






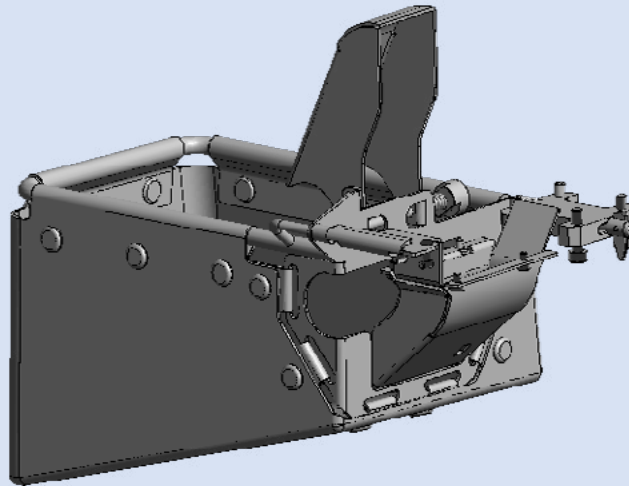
SOFTMOUNT MAG58

ACCESSORIES



SOFTMOUNT MAG58

CARTRIDGE COLLECTOR SYSTEM

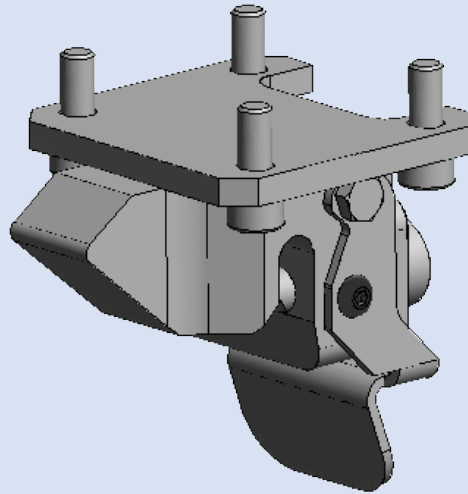


FEATURES AND BENEFITS

- Cartridge collector system collects link and cartridge for softmount MAG58.
- Installed, removed and emptied without tools.

SOFTMOUNT MAG58

TRANSPORT LOCK

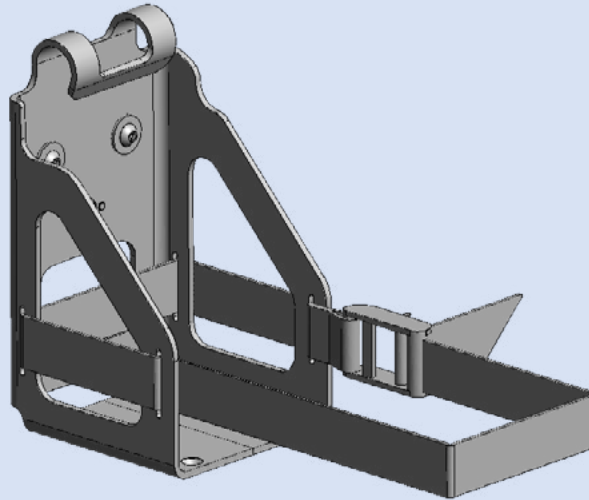


FEATURES AND BENEFITS

- Transport lock mounted on softmount MAG58.
- Can be operated without use of tools.

SOFTMOUNT MAG58

AMMUNITION BOX CARRIER

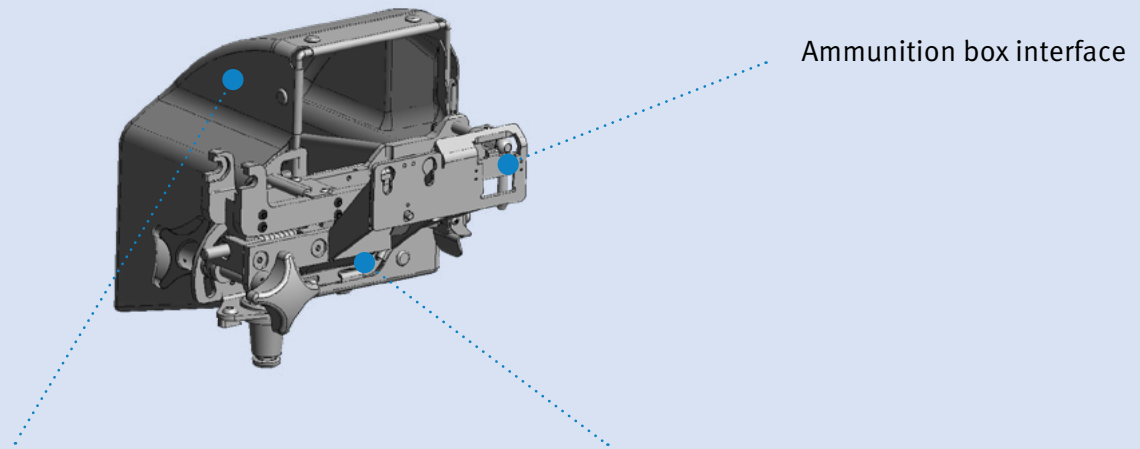


FEATURES AND BENEFITS

- Ammunition box carrier for M19A1.
- The ammunition box is secured with a strap.
- Can be mounted and dismounted without use of tools.

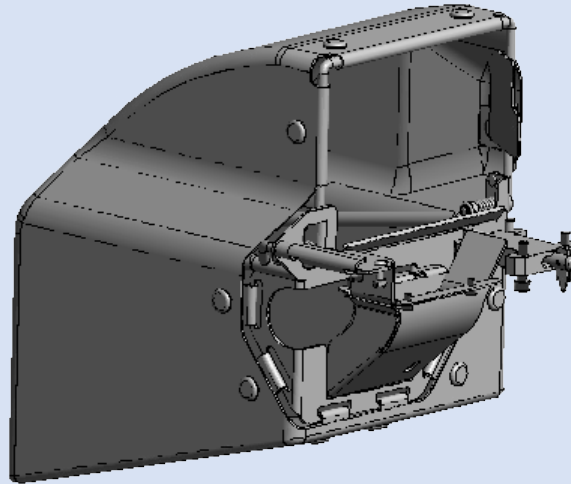
SOFTMOUNT MINIMI

ACCESSORIES



SOFTMOUNT MINIMI

CARTRIDGE COLLECTOR SYSTEM

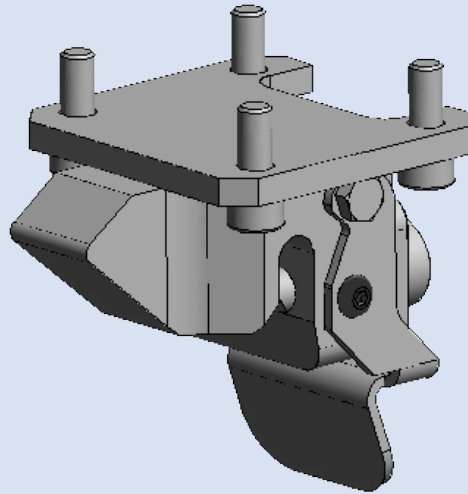


FEATURES AND BENEFITS

- Cartridge collector system collects link and cartridge for softmount MINIMI.
- Installed, removed and emptied without tools.

SOFTMOUNT MINIMI

TRANSPORT LOCK

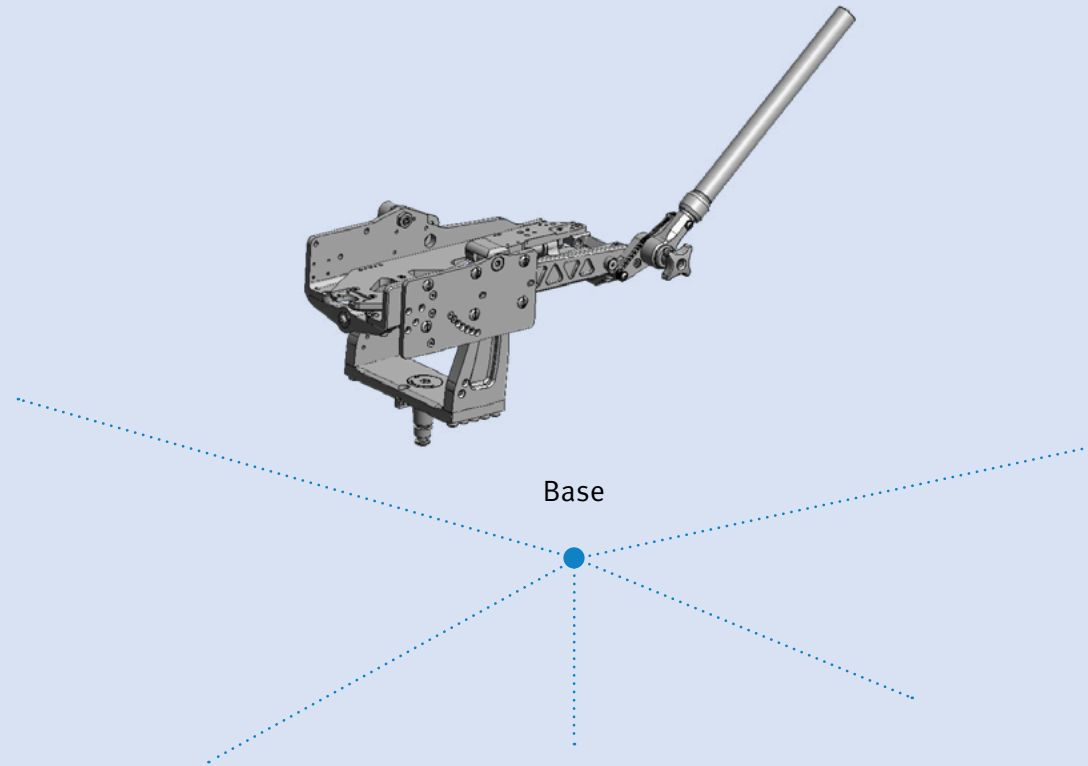


FEATURES AND BENEFITS

- Transport lock mounted on softmount MINIMI.
- Can be operated without use of tools.

SOFTMOUNT M2/GMG/MK19

CONFIGURATIONS



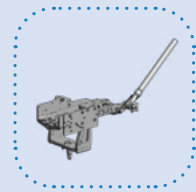
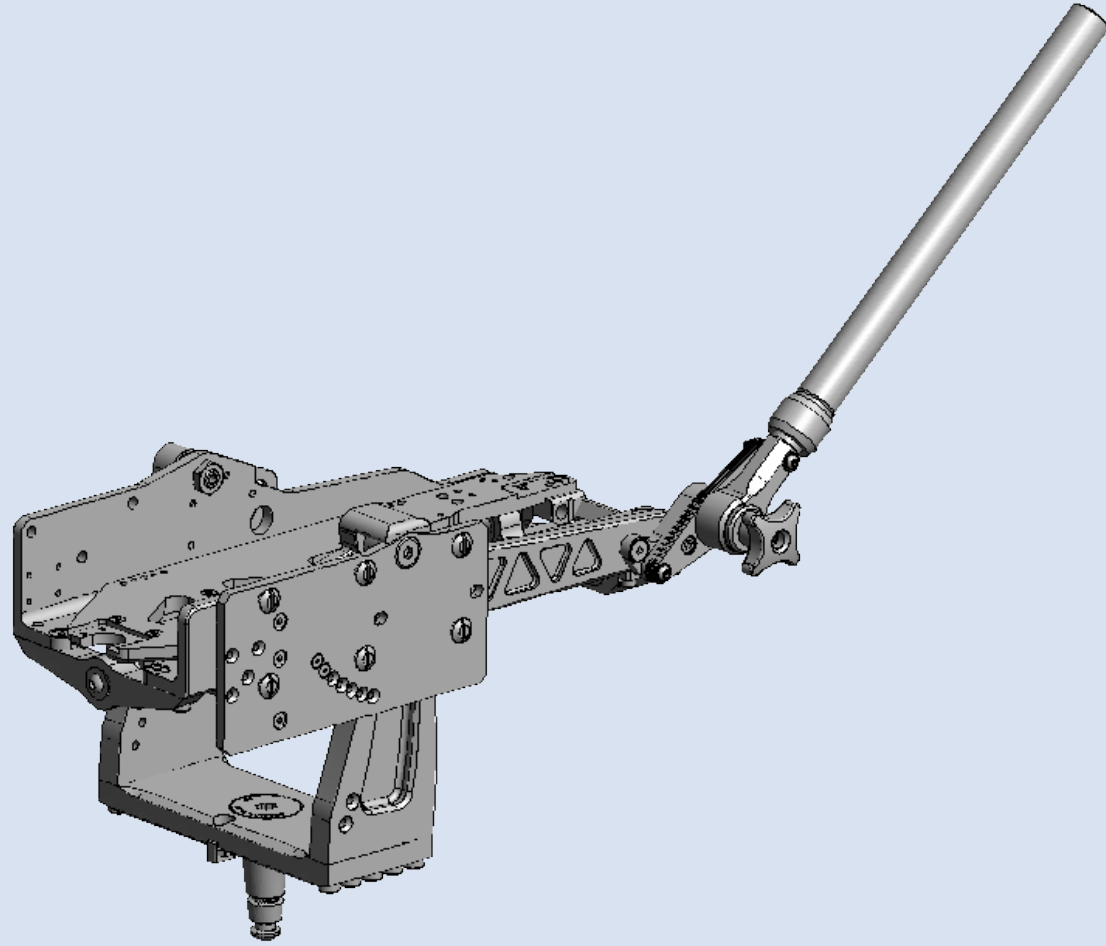
SOFTMOUNT M2/GMG/MK19

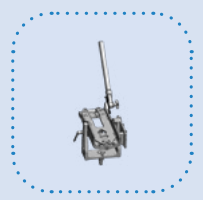
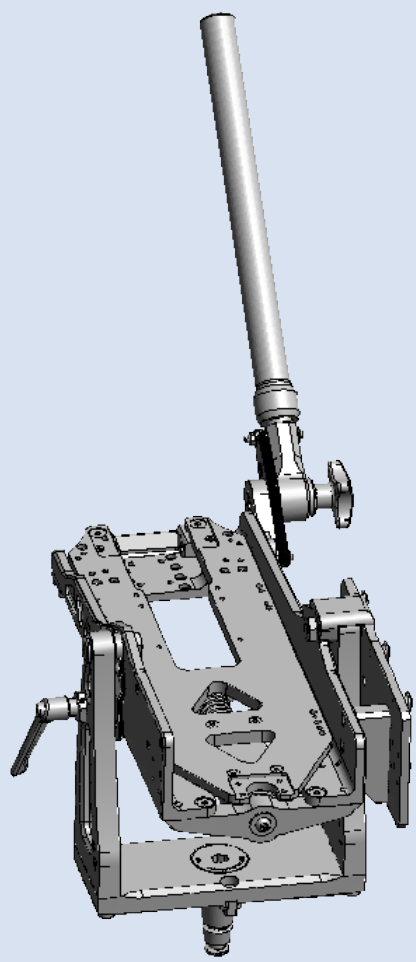
FEATURES AND BENEFITS

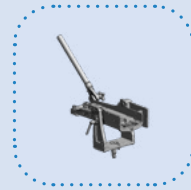
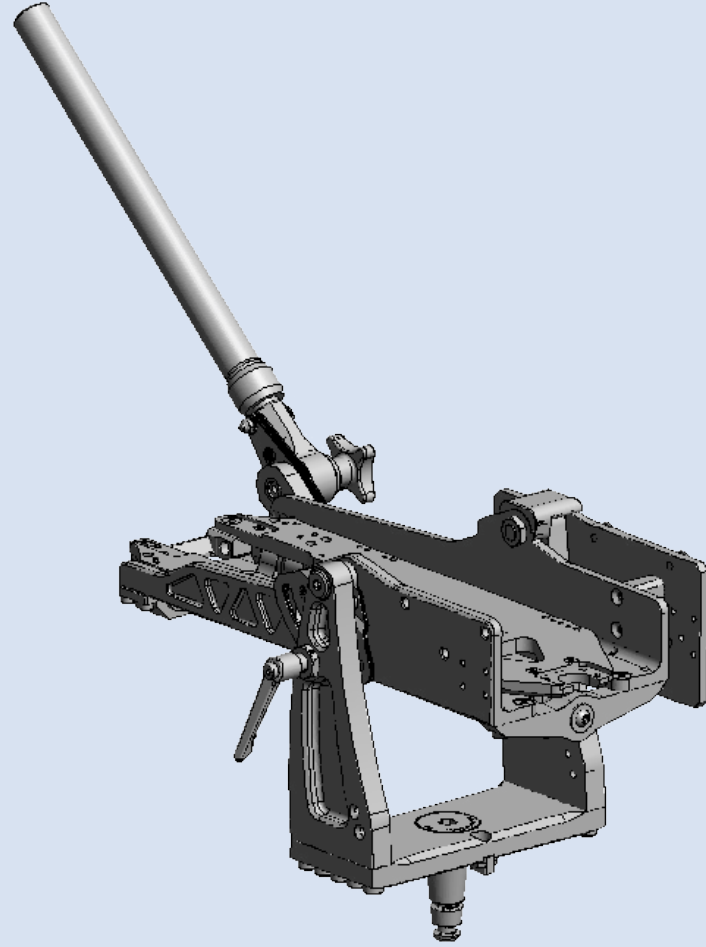
Base

FEATURES AND BENEFITS

- Improved accuracy and grouping.
- Rapid engagement of multiple targets.
- Increased first hit probability.
- Reduced recoil forces.
- Improved ergonomics.
- Easy maintenance.
- The reduced recoil minimize the wear and tear of the weapon.
- Elevation can be fixed in level position.
- Simple mounting and use.
- Reduces stress on vehicle.
- Elevation -25° up to $+55^{\circ}$.

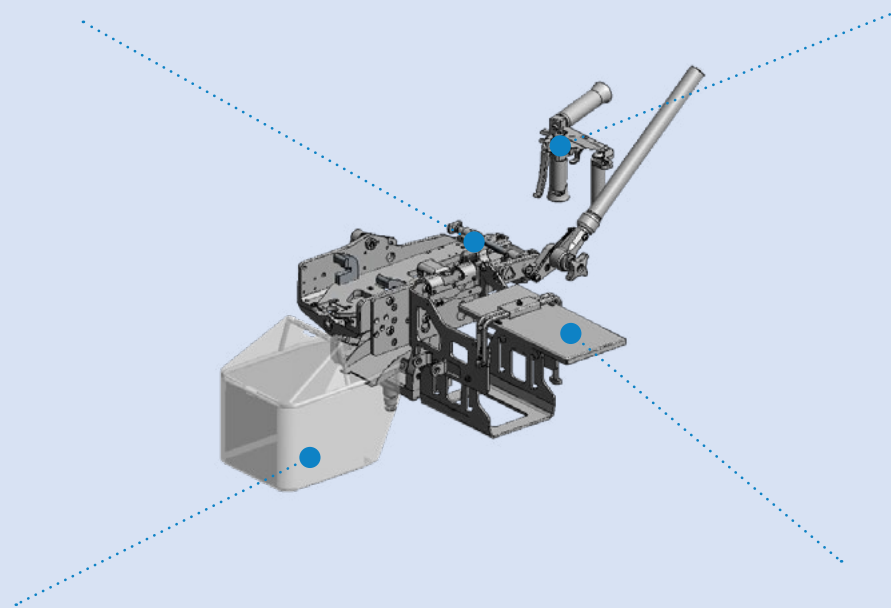






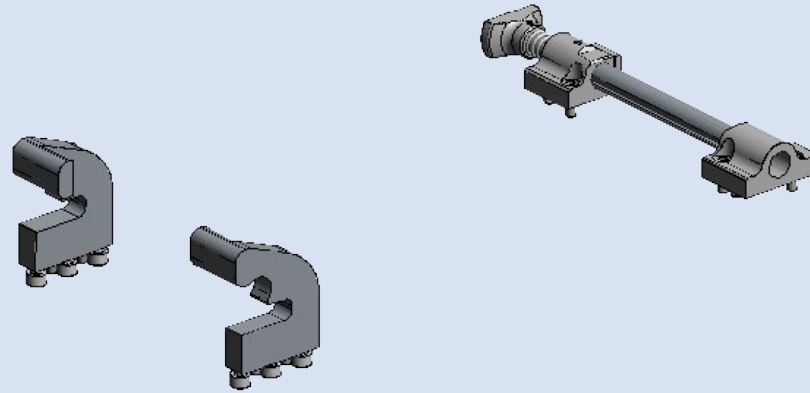
SOFTMOUNT MK19

ACCESSORIES



SOFTMOUNT MK19

WEAPON INTERFACE

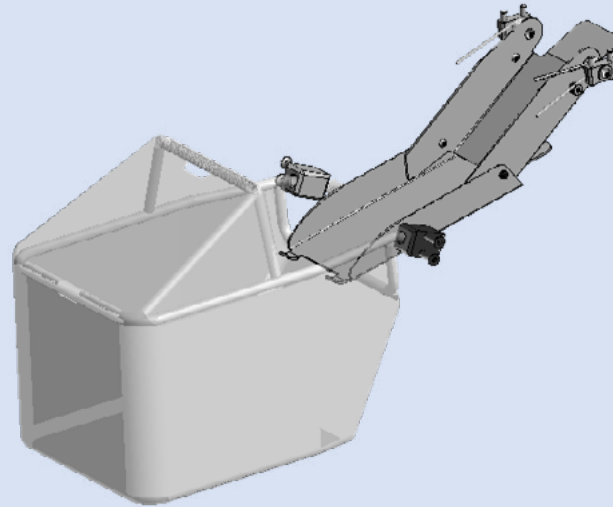


FEATURES AND BENEFITS

- Weapon interface for softmount MK19.
- Specified when ordering softmount.

SOFTMOUNT MK19

CARTRIDGE COLLECTOR SYSTEM

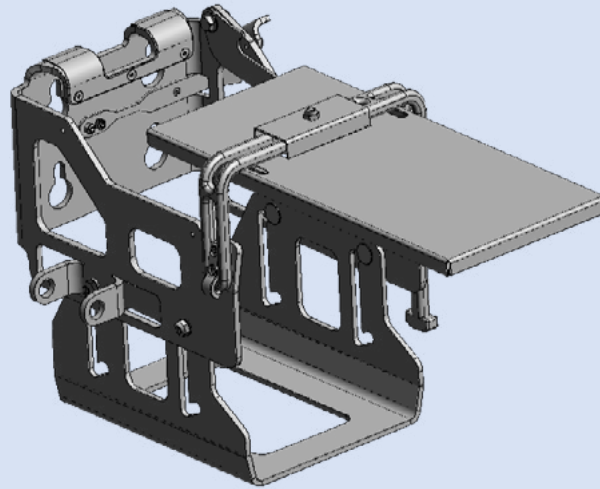


FEATURES AND BENEFITS

- A chute and a bag mounted below the softmount to collect spent MK19 cartridges.
- The cartridge collector kit is designed for approximately 200 rounds of 12.7 or 32 rounds of 40mm.
- Installed, removed and emptied without tools.

SOFTMOUNT MK19

AMMUNITION BOX CARRIER

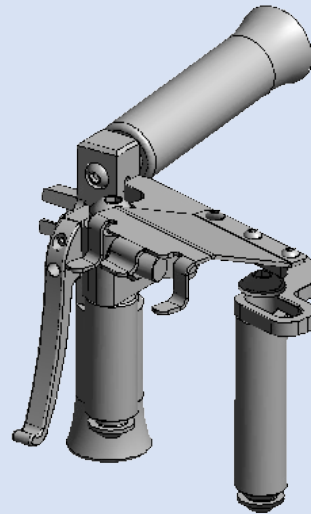


FEATURES AND BENEFITS

- The Ammunition box carrier is designed for the PA120 ammunition box for 40mm (32 rounds) and the M2A1 ammunition box for 12.7mm (100 rounds).
- Only 4 nuts and bolts to be loosen and tightened to switch between the boxes.
- The carrier can be mounted, without tools, on two different positions on the softmount to align with the different weapon's feeding mechanism.

SOFTMOUNT MK19

BACK TRIGGER

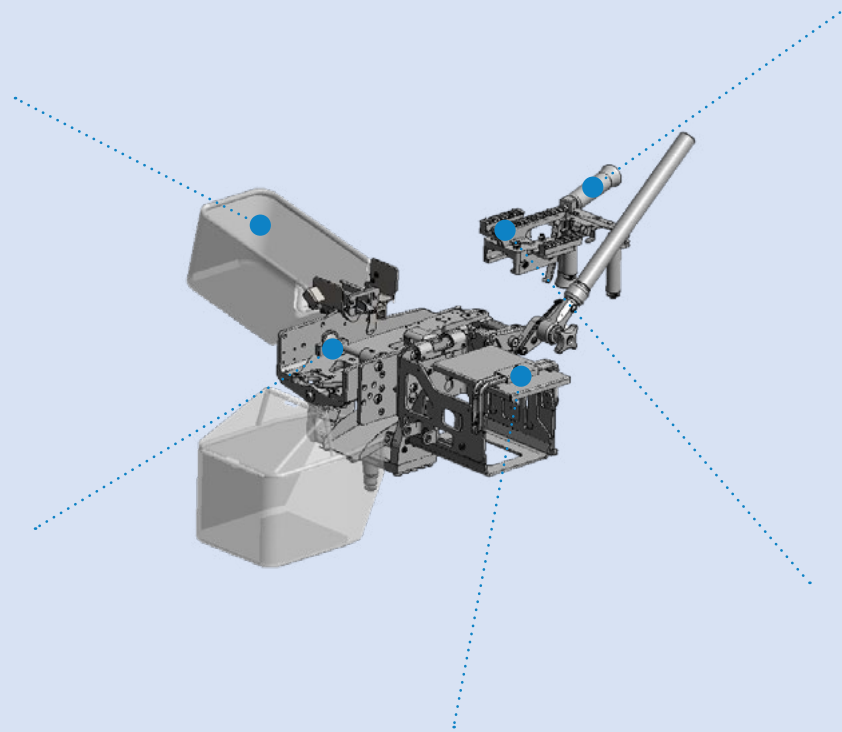


FEATURES AND BENEFITS

- A back trigger suitable for both MK19 and M2.
- Consists of handles, trigger and a mechanical safety switch.
- The safety switch is marked with “S” for safe and “F” for fire.

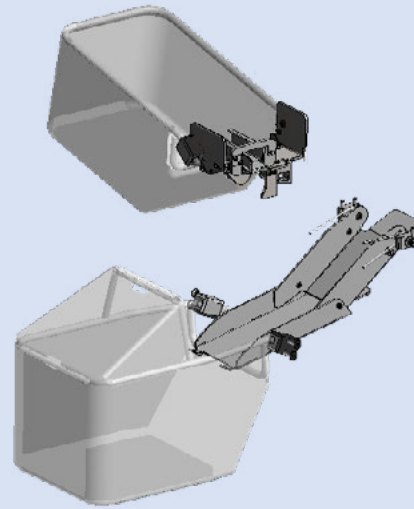
SOFTMOUNT M2

ACCESSORIES



SOFTMOUNT M2

CARTRIDGE COLLECTOR SYSTEM

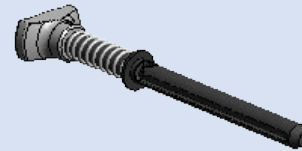
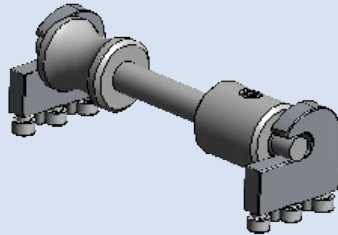


FEATURES AND BENEFITS

- A chute and a bag mounted below the softmount to collect spent M2 cartridges.
- The cartridge collector kit is designed for approximately 200 rounds of 12.7 or 32 rounds of 40mm.
- Installed, removed and emptied without tools.

SOFTMOUNT M2

WEAPON INTERFACE

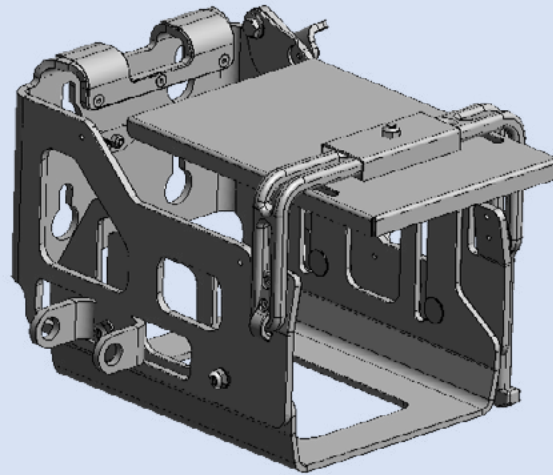


FEATURES AND BENEFITS

- Weapon interface for softmount M2.
- Specified when ordering softmount.

SOFTMOUNT M2

AMMUNITION BOX CARRIER

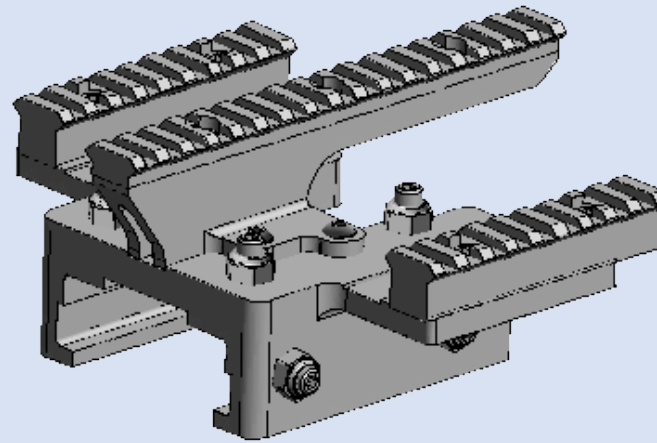


FEATURES AND BENEFITS

- The Ammunition box carrier is designed for the PA120 ammunition box for 40mm (32 rounds) and the M2A1 ammunition box for 12.7mm (100 rounds).
- Only 4 nuts and bolts to be loosen and tightened to switch between the boxes.
- The carrier can be mounted, without tools, on two different positions on the softmount to align with the different weapon's feeding mechanism.

SOFTMOUNT M2

SAK

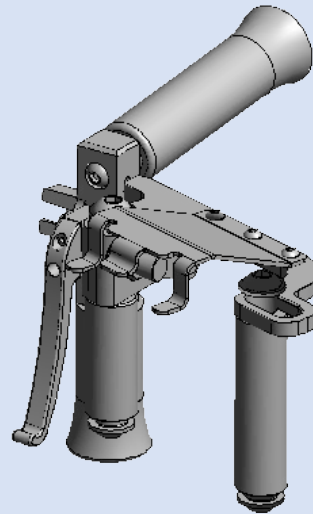


FEATURES AND BENEFITS

- A sight adaptation kit (or sight bridge) mounted directly onto a M2, with standard tools.
- Comes with 3 different NATO accessory rails.

SOFTMOUNT M2

BACK TRIGGER

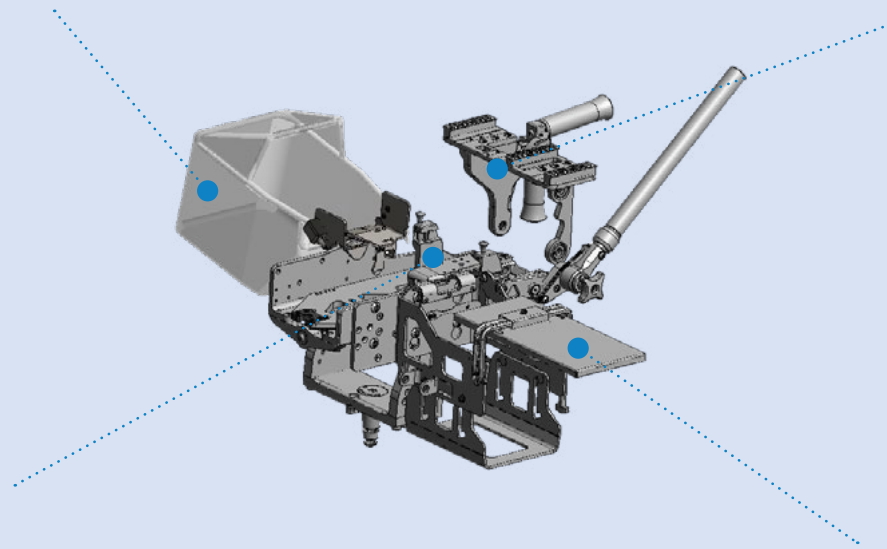


FEATURES AND BENEFITS

- A back Trigger suitable for both MK19 and M2.
- Consists of handles, trigger and a mechanical safety switch.
- The safety switch is marked with “S” for safe and “F” for fire.

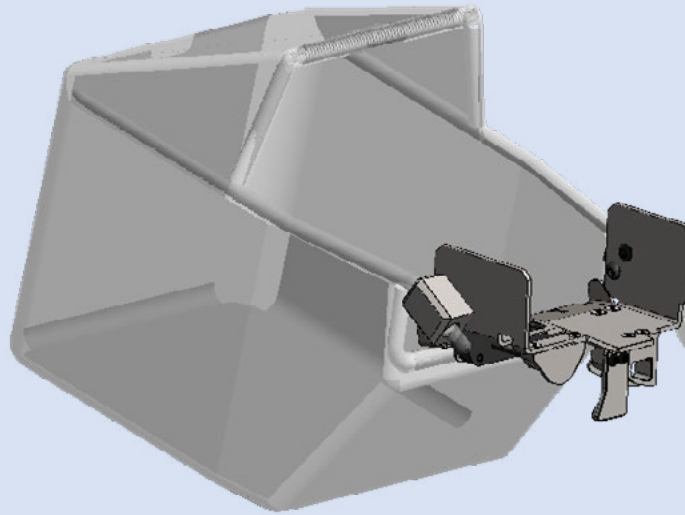
SOFTMOUNT GMG

ACCESSORIES



SOFTMOUNT GMG

CARTRIDGE COLLECTOR SYSTEM

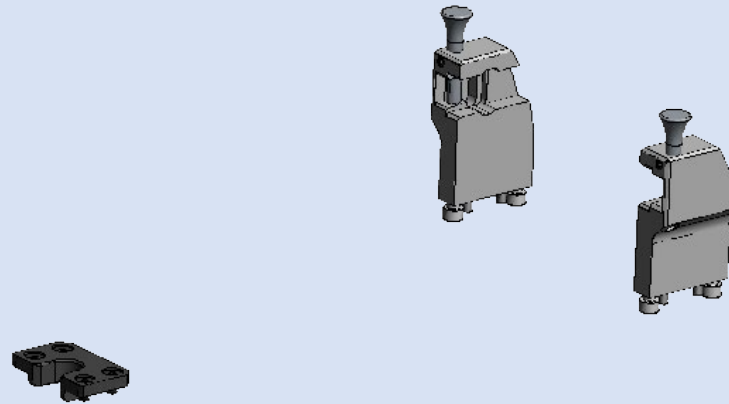


FEATURES AND BENEFITS

- A bag mounted on the right side of the softmount to collect H&K GMG cartridges.
- The link and cartridge collector kit is designed for approximately 200 rounds of 12.7 or 32 rounds of 40mm.
- Installed, removed and emptied without tools.

SOFTMOUNT GMG

WEAPON INTERFACE

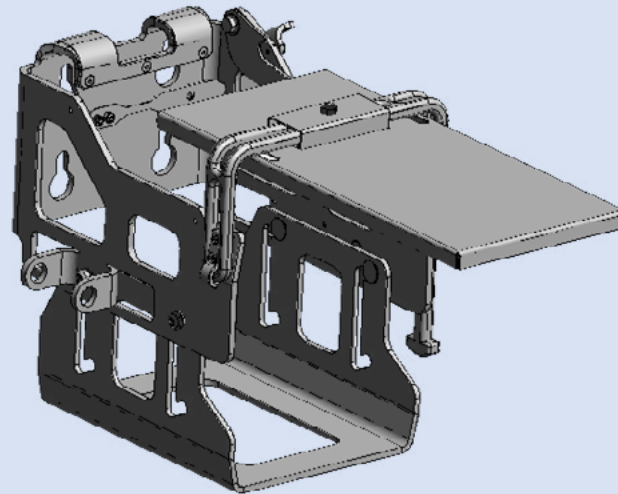


FEATURES AND BENEFITS

- Weapon interface for softmount GMG.
- Specified when ordering softmount.

SOFTMOUNT GMG

AMMUNITION BOX CARRIER

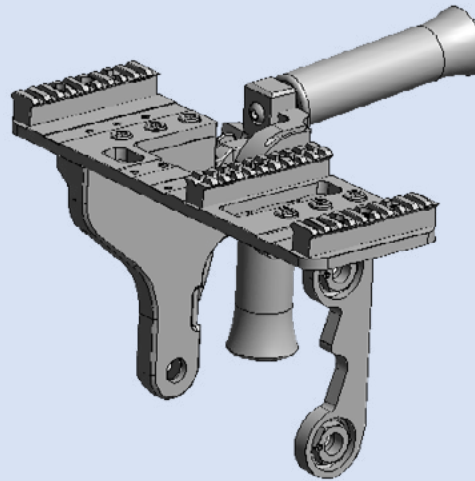


FEATURES AND BENEFITS

- The Ammunition box carrier is designed for the PA120 ammunition box for 40mm (32 rounds) and the M2A1 ammunition box for 12.7mm (100 rounds).
- Only 4 nuts and bolts to be loosen and tightened to switch between the boxes.
- The carrier can be mounted, without tools, on two different positions on the softmount to align with the different weapon's feeding mechanism.

SOFTMOUNT GMG

WIDE SAK

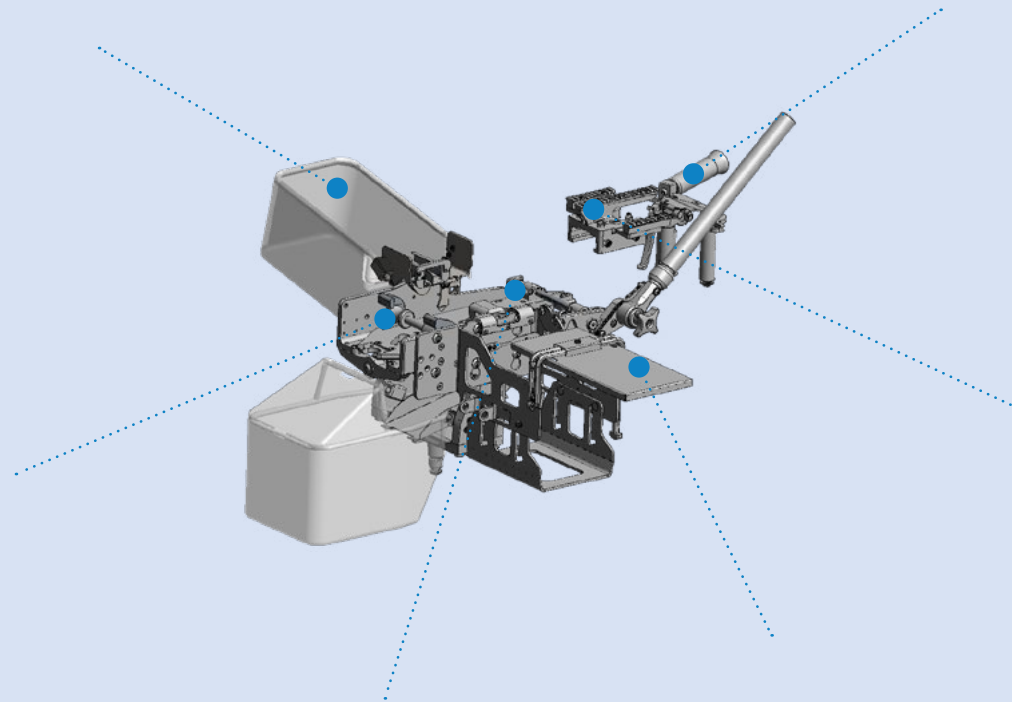


FEATURES AND BENEFITS

- A trigger and sight adaptation kit (or sight bridge) suitable for H&K GMG. Consists of handles, trigger, and 3 different NATO accessory rails.
- A mechanical safety switch can be included.
- Mounted to the weapon with standard tools.

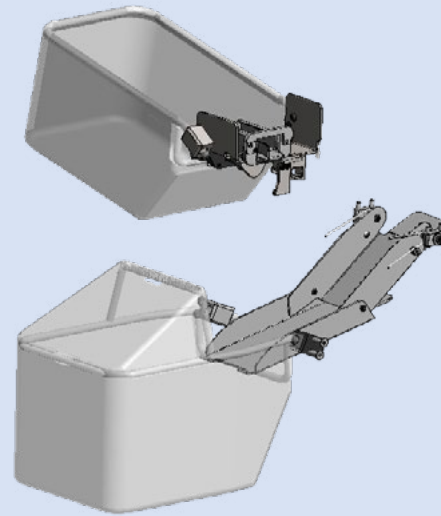
SOFTMOUNT M2 + MK19

ACCESSORIES



SOFTMOUNT M2 + MK19

CARTRIDGE COLLECTOR SYSTEM

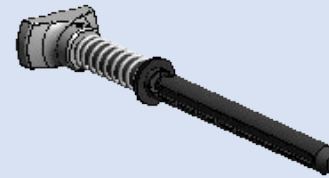
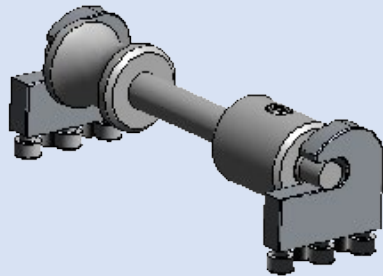


FEATURES AND BENEFITS

- A chute and a bag mounted below the softmount to collect spent M2 and MK19 cartridges.
- The cartridge collector kit is designed for approximately 200 rounds of 12.7 or 32 rounds of 40mm.
- Installed, removed and emptied without tools.

SOFTMOUNT M2 + MK19

WEAPON INTERFACE M2

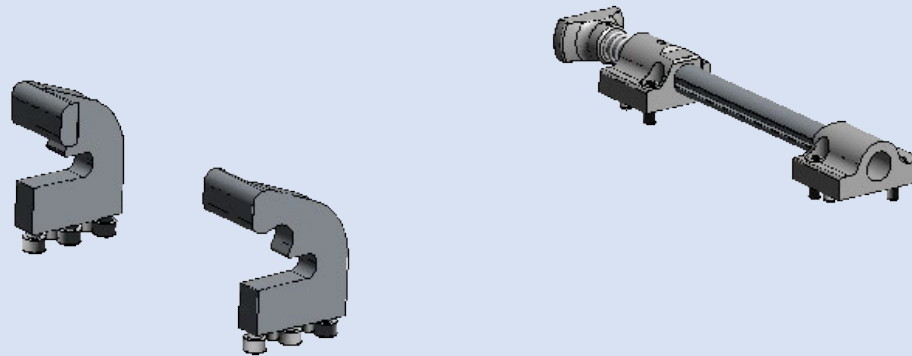


FEATURES AND BENEFITS

- Weapon interface for softmount M2.
- Specified when ordering softmount.

SOFTMOUNT M2 + MK19

WEAPON INTERFACE MK19

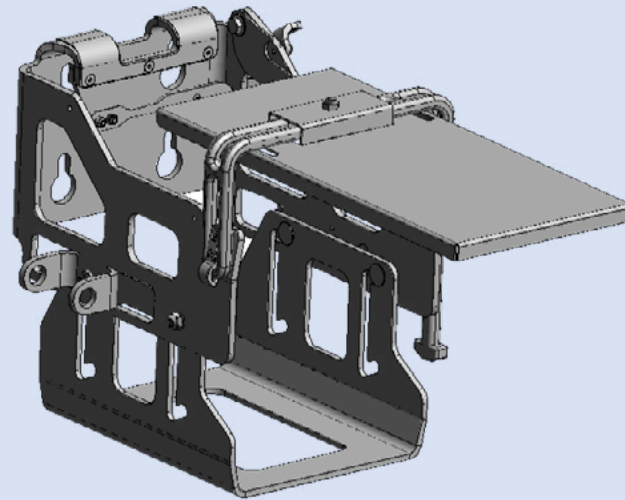


FEATURES AND BENEFITS

- Weapon interface for softmount MK19.
- Specified when ordering softmount.

SOFTMOUNT M2 + MK19

AMMUNITION BOX CARRIER

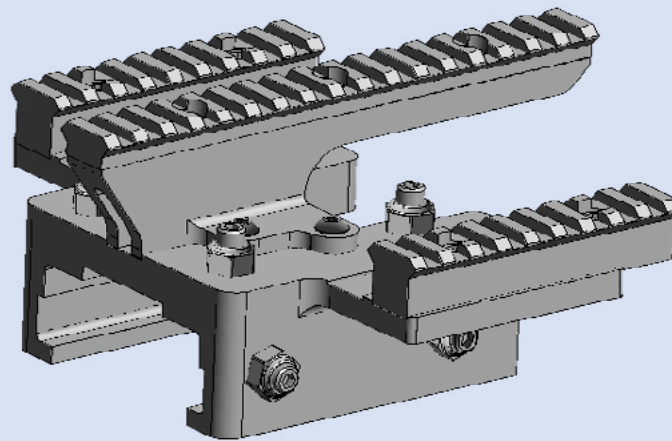


FEATURES AND BENEFITS

- The Ammunition box carrier is designed for the PA120 ammunition box for 40mm (32 rounds) and the M2A1 ammunition box for 12.7mm (100 rounds).
- Only 4 nuts and bolts to be loosen and tightened to switch between the boxes.
- The carrier can be mounted, without tools, on two different positions on the softmount to align with the different weapon's feeding mechanism.

SOFTMOUNT M2 + MK19

SAK

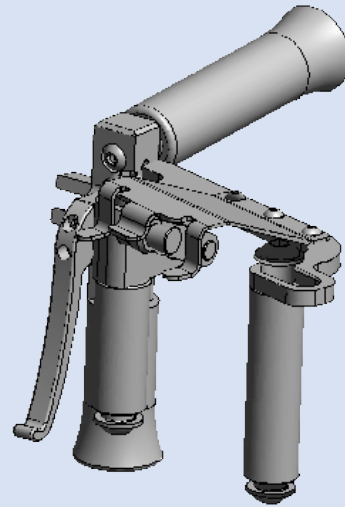


FEATURES AND BENEFITS

- A sight adaptation kit (or sight bridge) mounted directly onto a MK19 or a M2 with use of standard tools.
- With 3 different NATO accessory rails.

SOFTMOUNT M2 + MK19

BACK TRIGGER

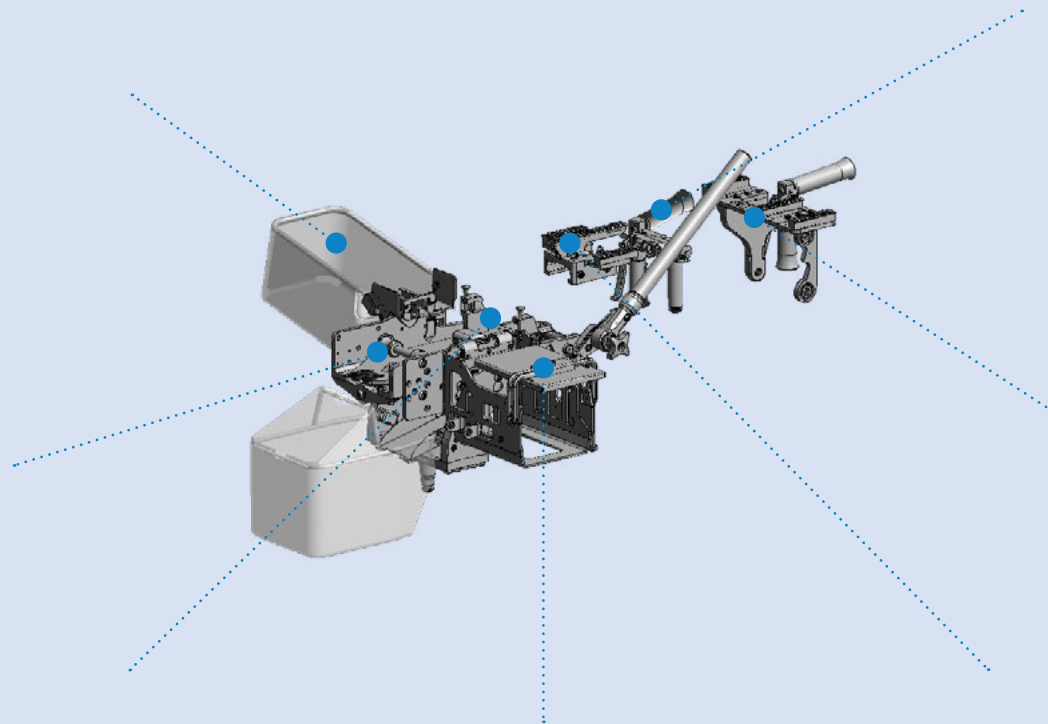


FEATURES AND BENEFITS

- A back Trigger suitable for both MK19 and M2.
- Consists of handles, trigger and a mechanical safety switch.
- The safety switch is marked with “S” for safe and “F” for fire.

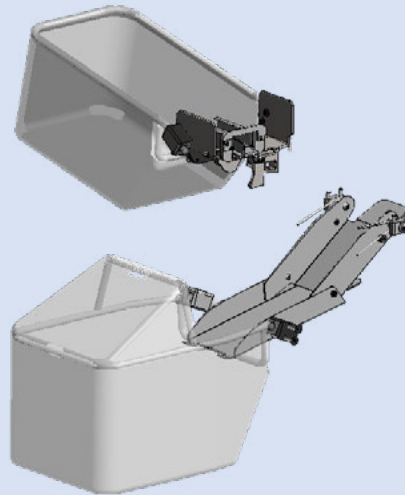
SOFTMOUNT M2 + GMG

ACCESSORIES



SOFTMOUNT M2 + GMG

CARTRIDGE COLLECTOR SYSTEM

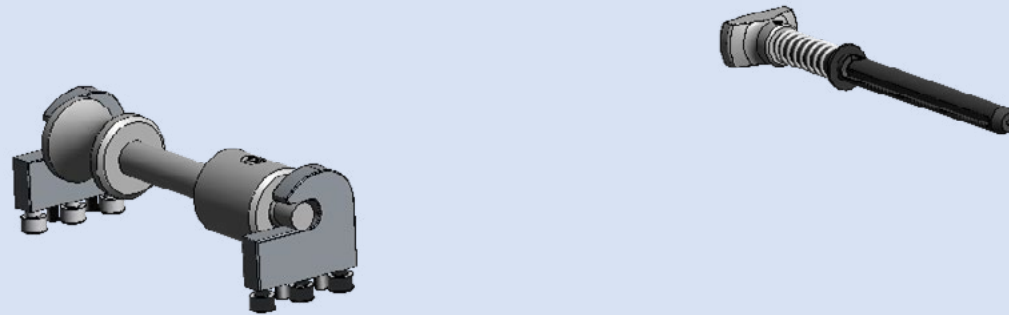


FEATURES AND BENEFITS

- A chute and a bag mounted below the softmount to collect spent M2 cartridges.
- The cartridge collector kit is designed for approximately 200 rounds of 12.7 or 32 rounds of 40mm.
- Installed, removed and emptied without tools.
- A bag mounted on the right side of the softmount to collect H&K GMG cartridges.

SOFTMOUNT M2 + GMG

WEAPON INTERFACE M2

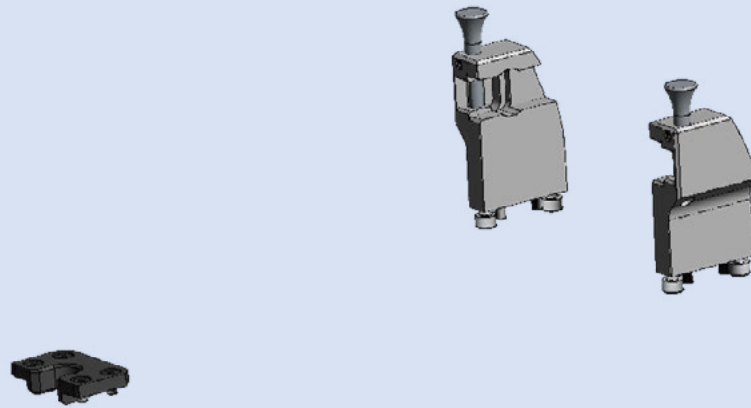


FEATURES AND BENEFITS

- Weapon interface for softmount M2.
- Specified when ordering softmount.

SOFTMOUNT M2 + GMG

WEAPON INTERFACE GMG

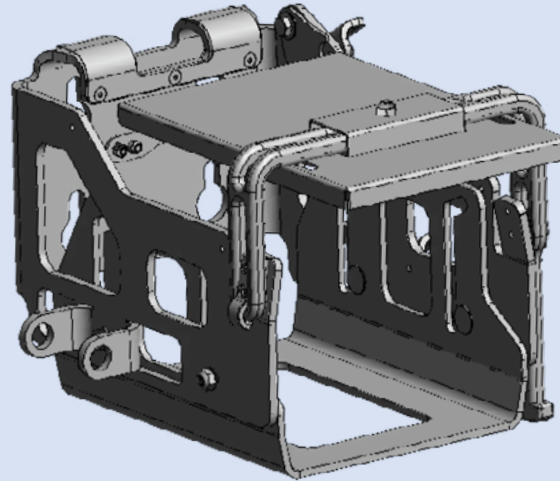


FEATURES AND BENEFITS

- Weapon interface for softmount GMG.
- Specified when ordering softmount.

SOFTMOUNT M2 + GMG

AMMUNITION BOX CARRIER

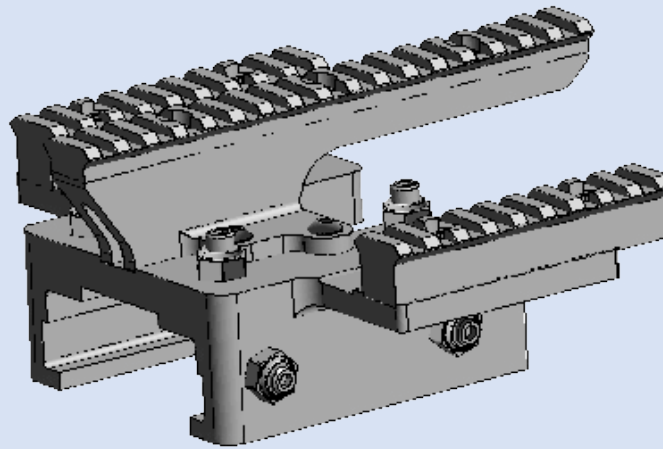


FEATURES AND BENEFITS

- The Ammunition box carrier is designed for the PA120 ammunition box for 40mm (32 rounds) and the M2A1 ammunition box for 12.7mm (100 rounds).
- Only 4 nuts and bolts to be loosen and tightened to switch between the boxes.
- The carrier can be mounted, without tools, on two different positions on the softmount to align with the different weapon's feeding mechanism.

SOFTMOUNT M2 + GMG

SAK

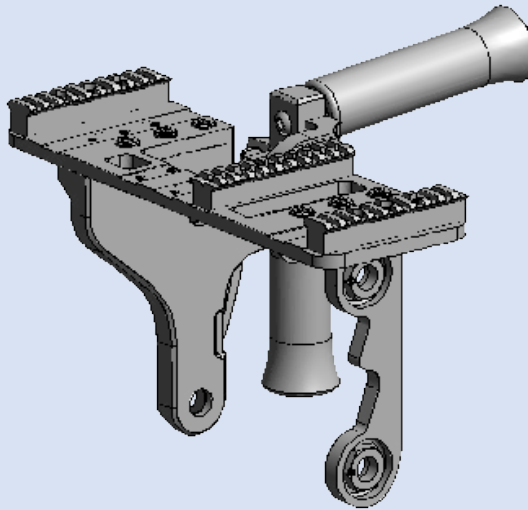


FEATURES AND BENEFITS

- A sight adaptation kit (or sight bridge) mounted directly onto a M2 with use of standard tools.
- With 3 different NATO accessory rails.

SOFTMOUNT M2 + GMG

WIDE SAK

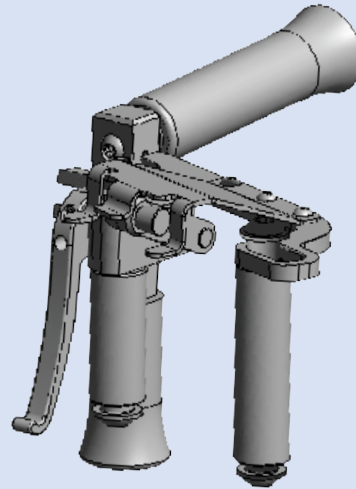


FEATURES AND BENEFITS

- A trigger and sight adaptation kit (or sight bridge) suitable for H&K GMG.
- Consists of handles, trigger, and 3 different NATO accessory rails.
- A mechanical safety switch can be included.

SOFTMOUNT M2 + GMG

BACK TRIGGER

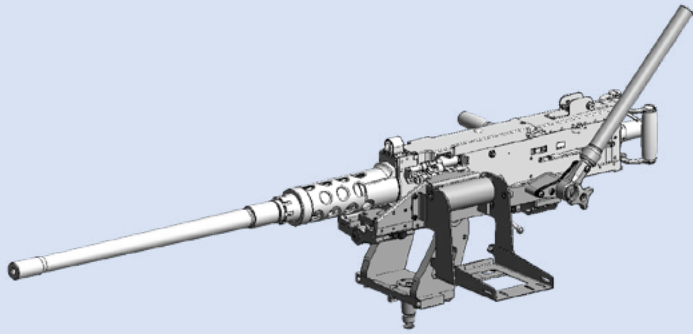


FEATURES AND BENEFITS

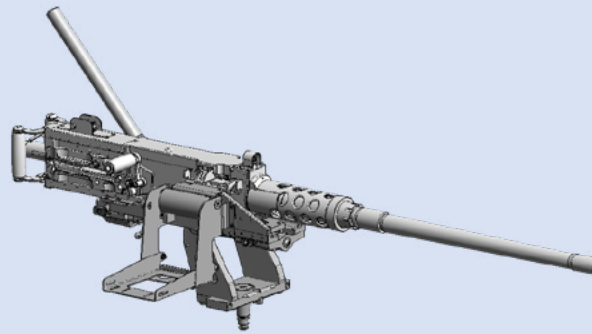
- A back Trigger suitable for both MK19 and M2.
- Consists of handles, trigger and a mechanical safety switch.
- The safety switch is marked with “S” for safe and “F” for fire.

SOFTMOUNT M2

FEATURES AND BENEFITS



HMG Mount, Left-hand feed

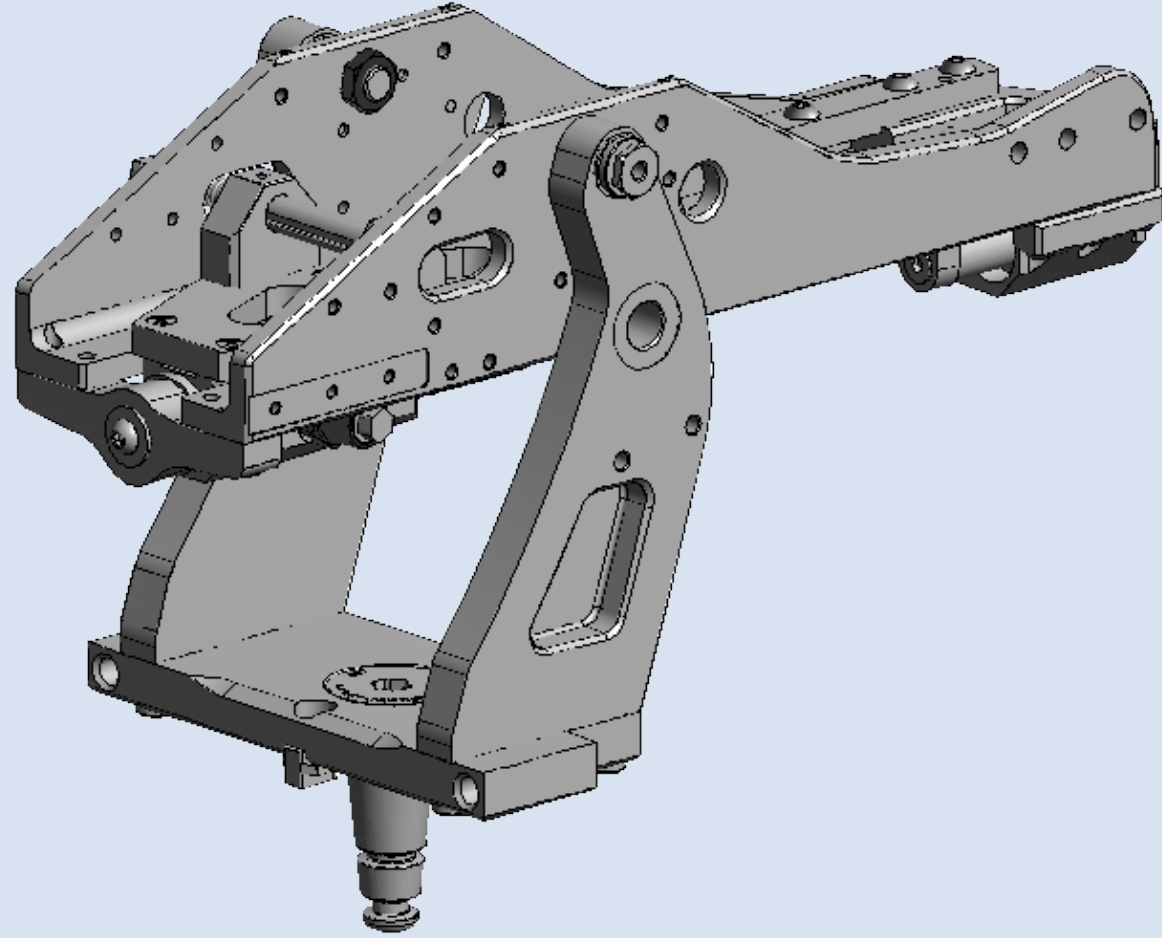


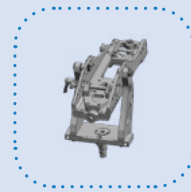
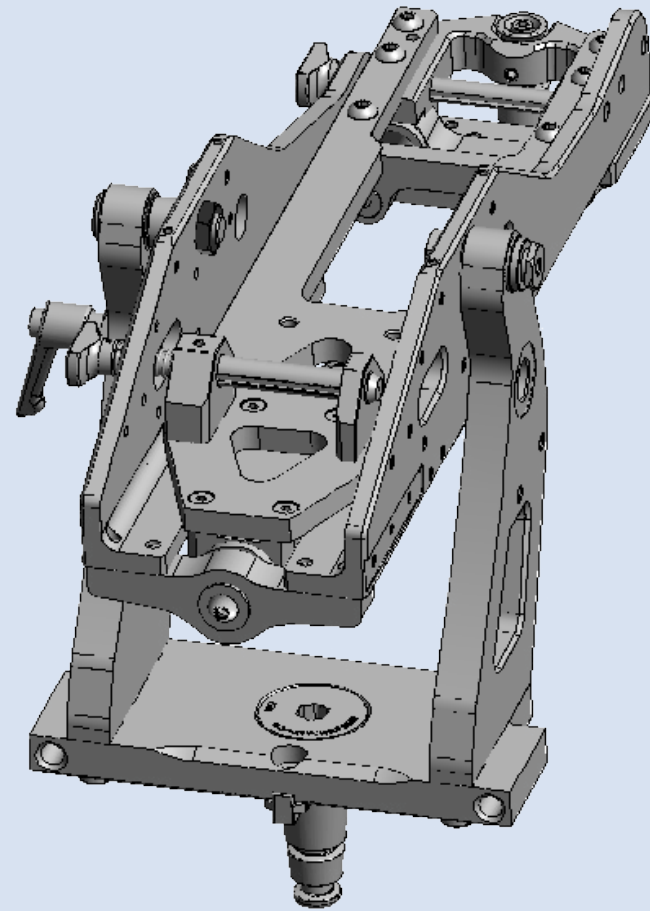
HMG Mount, Right-hand feed

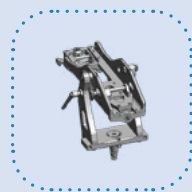
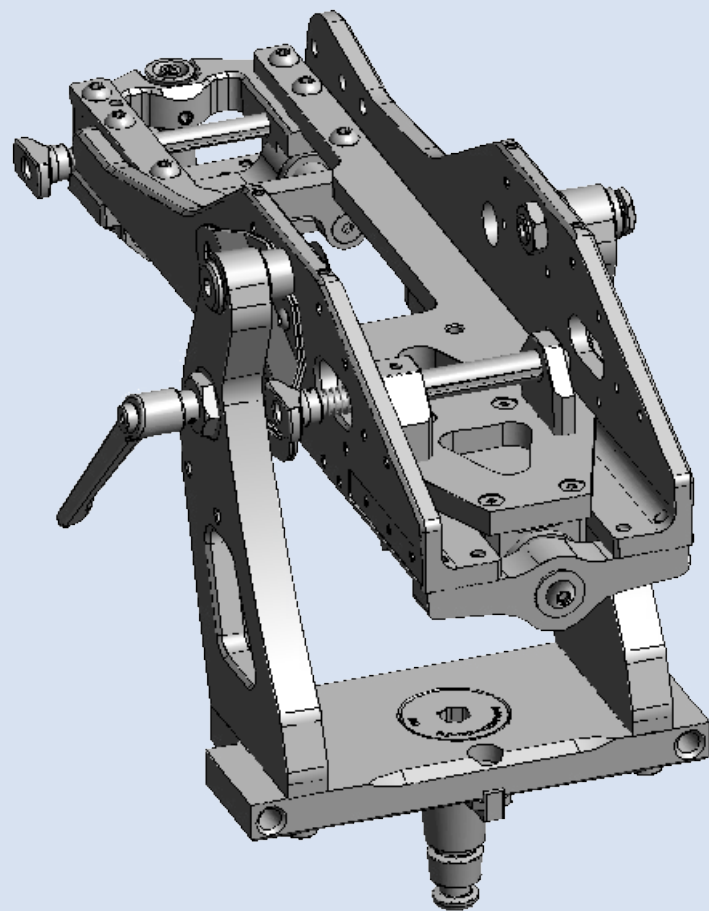
Base

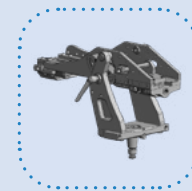
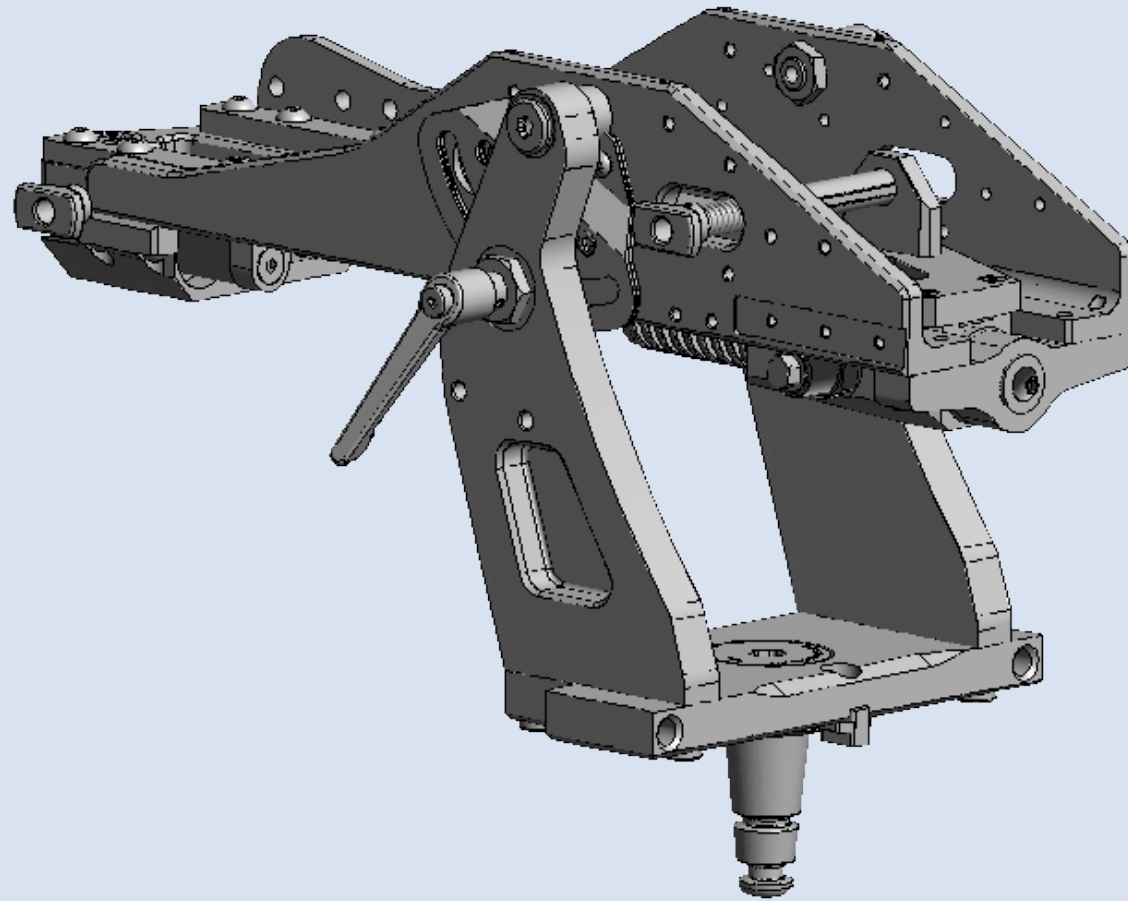
FEATURES AND BENEFITS

- Designed and built for the M2 Browning, and derivatives, such as M2HB, M2A1, M2A2 and M2A2N.
- Elevation envelope: -30 to +60.
- Additional accessories can be delivered: Two side mounted NAR Rails, a Sight Adaptation Kit, Back Trigger, Shoulder Support and Link and Cartridge Collection.
- Excellent control of recoil forces provides an unmatched accuracy.
- Can be delivered with right-hand feed configuration.
- Improved ergonomics for rapid target accusation and first hit probability.



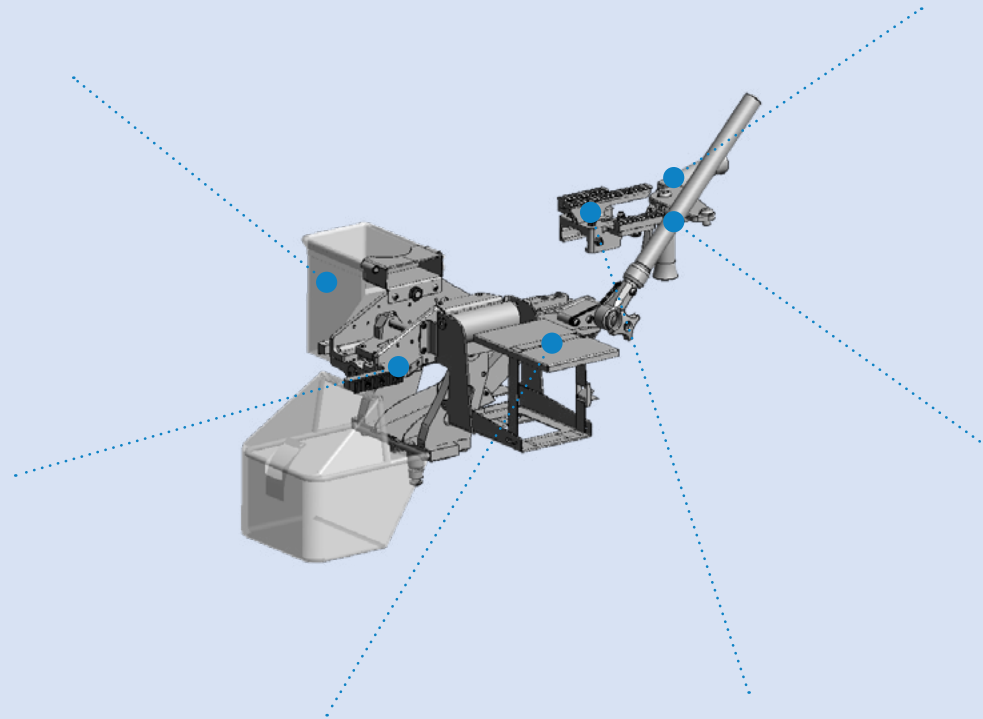






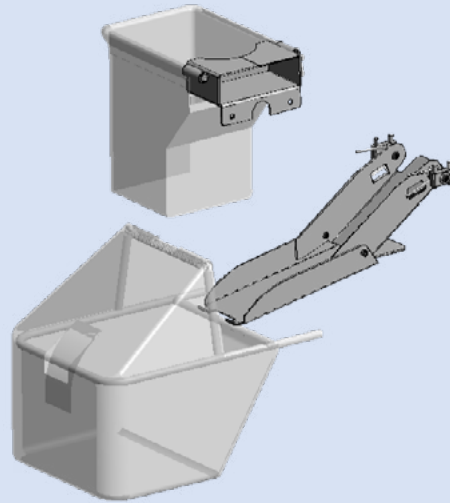
SOFTMOUNT M2

ACCESSORIES



SOFTMOUNT M2

CARTRIDGE COLLECTOR SYSTEM

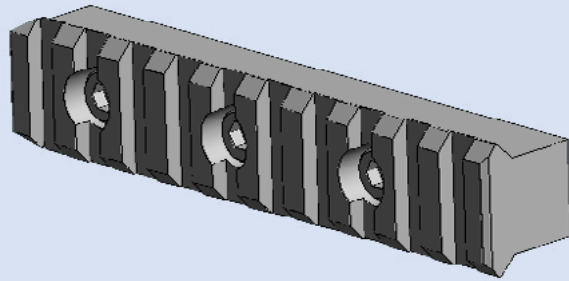


FEATURES AND BENEFITS

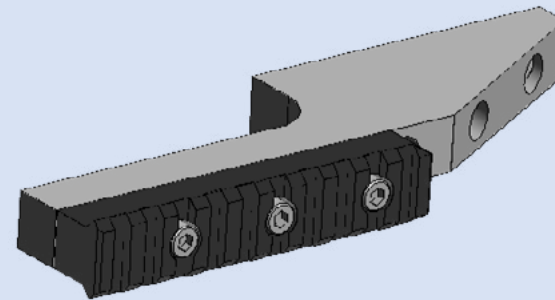
- The system has a link and cartridge collection system.
- The system collects more than 95% of all cartridges and links in horizontal position.
- Have a significant collection of cartridges and links in the whole elevation range.

SOFTMOUNT M2

KIT FOR ATTACHING NAR



NAR Right



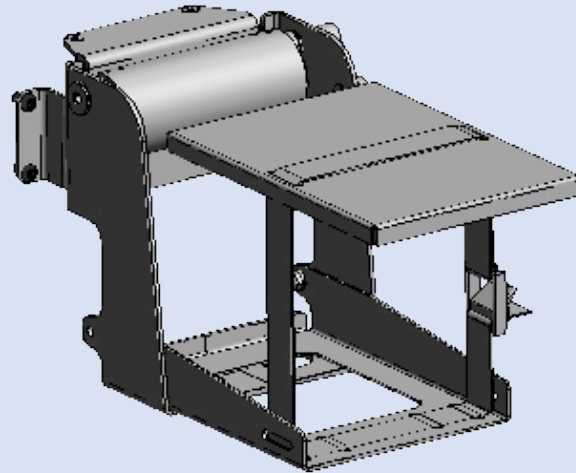
NAR Left

FEATURES AND BENEFITS

- The mount can be fitted with two NATO Accessory Rails for mounting of laser pointers, search light or other equipment.

SOFTMOUNT M2

AMMUNITION BOX HOLDER

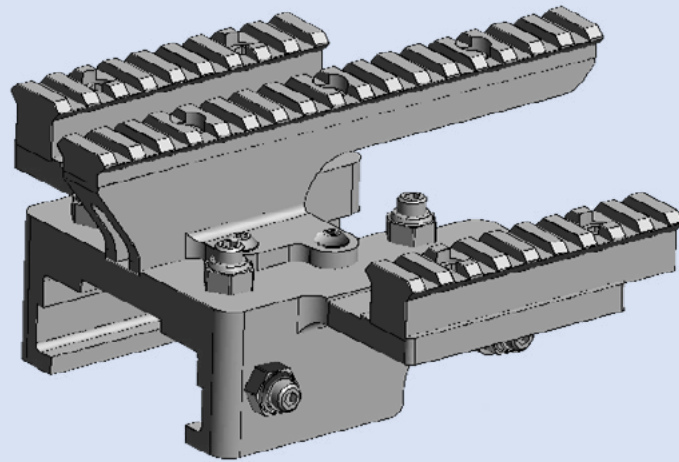


FEATURES AND BENEFITS

- The Ammunition Box Holder is designed for the M2A1 ammunition box for 12.7mm (100 rounds).
- The ammunition box is locked and released by operating a handle facing the operator.
- The box will stay in place even when the handle is not locked to ease installation / removal of the ammunition, allowing the box to be installed by using only one hand.
- The Ammunition Box Loading Tray supports the ammunition box during loaded and can be stored in an upright position when not in use.

SOFTMOUNT M2

SAK

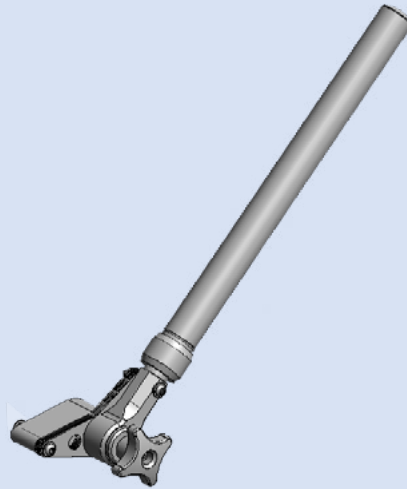


FEATURES AND BENEFITS

- A Sight Adaptation Kit (or sight bridge) consists of three NATO Accessory Rails.
- Below the centre NAR there is a viewing slot enabling the use of the iron sights on the weapon.

SOFTMOUNT M2

SHOULDER SUPPORT

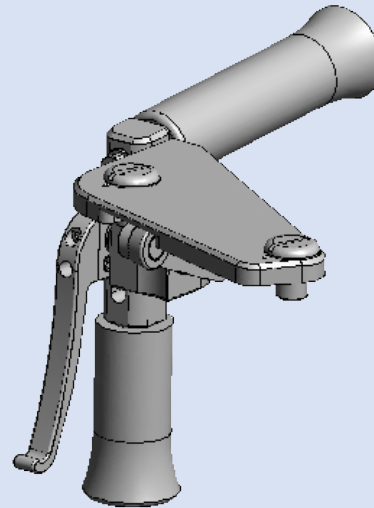


FEATURES AND BENEFITS

- The Shoulder Support improves the aiming accuracy and provides additional control of the weapon.

SOFTMOUNT M2

BACK TRIGGER

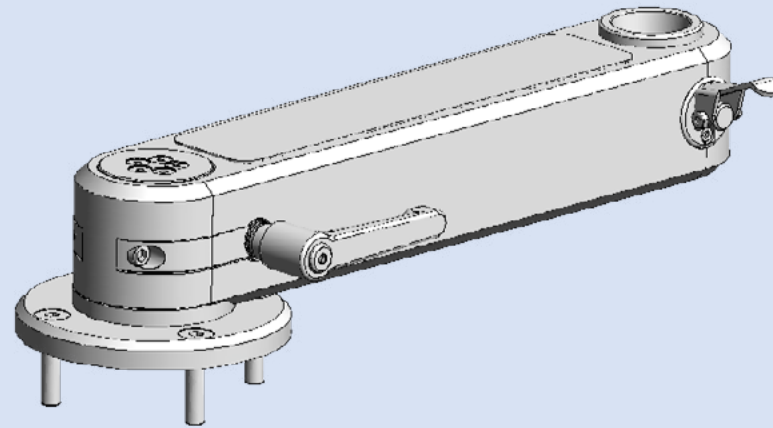


FEATURES AND BENEFITS

- The back trigger greatly improves the ergonomics of operating the mount. It is however, not required for operation.
- The back trigger consists of handles, trigger and a mechanical safety switch.

SWINGARM SINGLE

FEATURES AND BENEFITS

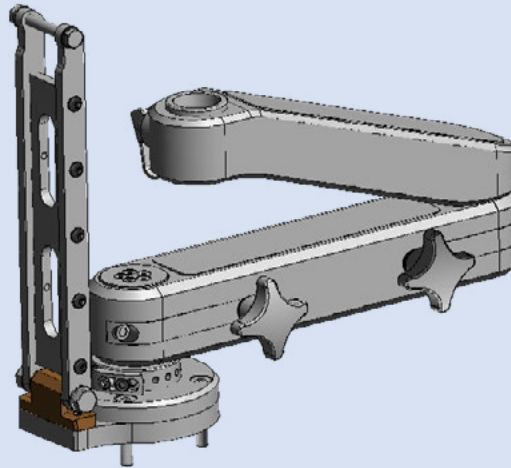


FEATURES AND BENEFITS

- Highly flexible interfaces that provide the gunner a significantly increased coverage area.
- The Swingarm can be used with a wide range of weapons and can be adapted for various platforms.

SWINGARM DOUBLE HIGH

FEATURES AND BENEFITS

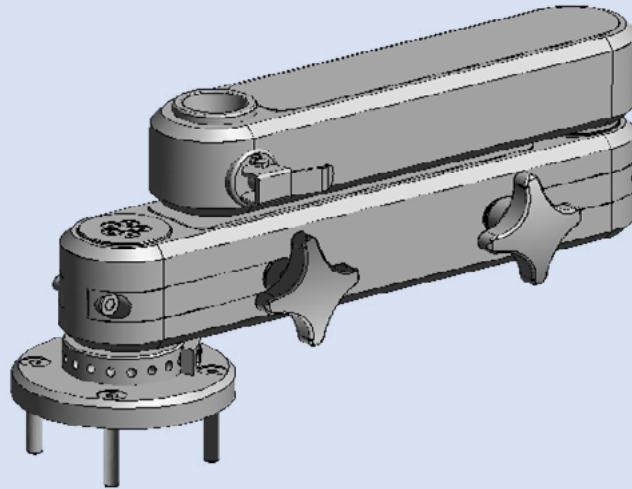


FEATURES AND BENEFITS

- Highly flexible interfaces that provide the gunner a significantly increased coverage area.
- The Swingarm can be used with a wide range of weapons and can be adapted for various platforms.

SWINGARM DOUBLE LOW

FEATURES AND BENEFITS

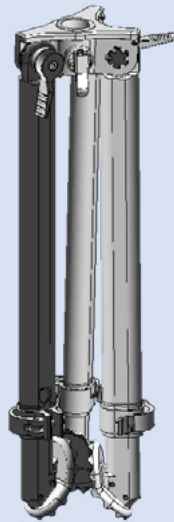


FEATURES AND BENEFITS

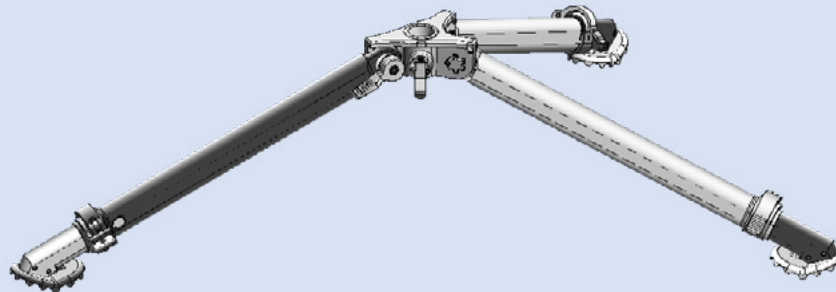
- Highly flexible interfaces that provide the gunner a significantly increased coverage area.
- The Swingarm can be used with a wide range of weapons and can be adapted for various platforms.

TRIPOD LIGHT

FEATURES AND BENEFITS



Folded



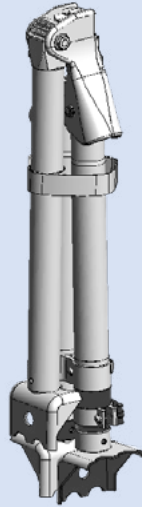
Unfolded

FEATURES AND BENEFITS

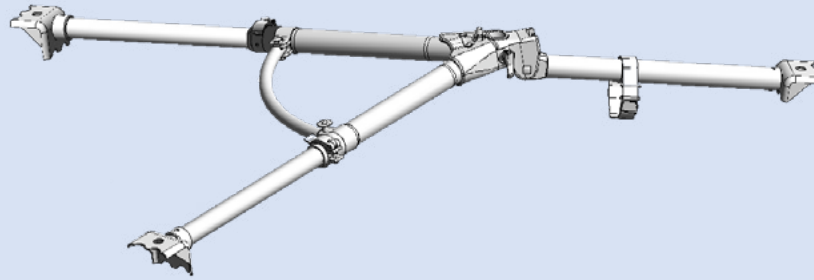
- Approved for light machine guns and medium machine guns.
- Adjustable height.
- G3 cone interface.
- Light weight.
- For light and medium machine guns.
- Made in a high strength aluminium alloy, shaped to its form by a forging process, which provides an extremely strong quality and lightweight.
- Come with telescopic legs for maximum adaptability.
- The light weight and the variable positions make it easy to carry, store and deploy in battlefield conditions.

TRIPOD MEDIUM

FEATURES AND BENEFITS



Folded



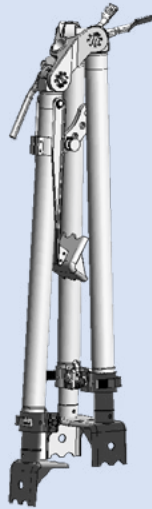
Unfolded

FEATURES AND BENEFITS

- Approved for up to and including heavy machine guns.
- Adjustable height.
- G3 cone interface.
- Light weight.
- Made in a high strength aluminium alloy, shaped to its form by a forging process, which provides an extremely strong quality and lightweight.
- Come with telescopic legs for maximum adaptability.
- The light weight and the variable positions make it easy to carry, store and deploy in battlefield conditions.

TRIPOD HEAVY

FEATURES AND BENEFITS



Folded



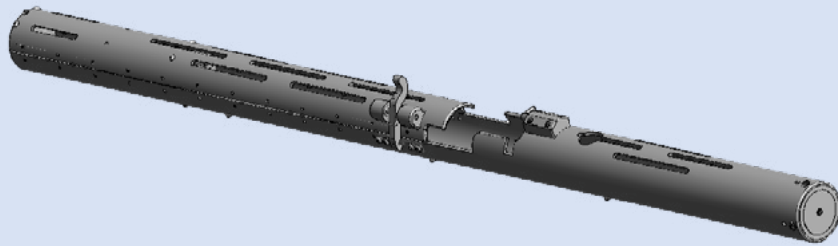
Unfolded

FEATURES AND BENEFITS

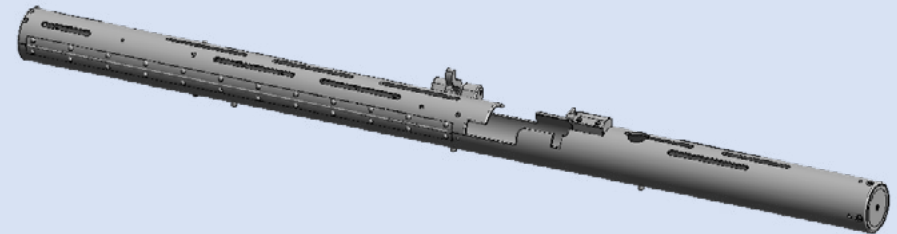
- Approved for up to and including heavy machine guns and 40mm AGL.
- Adjustable height.
- G3 cone interface.
- Light weight.
- Made in a high strength aluminium alloy, shaped to its form by a forging process, which provides an extremely strong quality and lightweight.
- Come with telescopic legs for maximum adaptability.
- The light weight and the variable positions make it easy to carry, store and deploy in battlefield conditions.

BARREL HOLDER M2

FEATURES AND BENEFITS



Right-hand



Left-hand

FEATURES AND BENEFITS

- Quick one handed operation.
- Designed for easy barrel replacement.
- Several openings for quick cooling of the barrel.
- Drainage holes to avoid any pooling of water.
- Designed for horizontal mounting.
- Protects barrel lining from sand and dust.

Rheinmetall Norway AS
Steinklossveien 14
3133 Duken, Norway

mail@rheinmetall.no
www.rheinmetall.no