



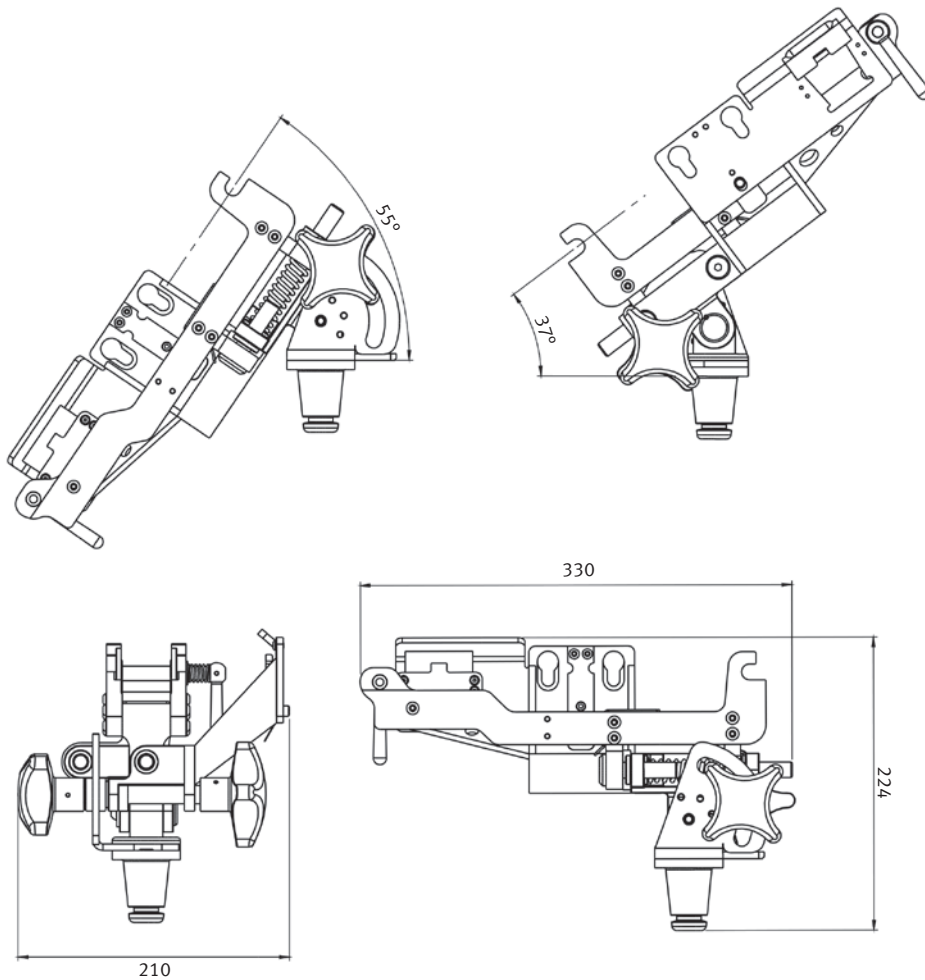
RN-200 – MAG 58 & MINIMI

The RN-200 is a lightweight combat proven weapon mount for the MAG 58 and the MINIMI (7.62 mm/5.56 mm). The mount incorporates a recoil damping system which significantly improves the handling of the weapon and increases the accuracy, the grouping, and first hit probability. In addition to making the weapon easier and faster to operate, engage and control.

LIGHT, FAST AND ACCURATE!

The RN-200 offers several advantages to the gunner:

- Improved accuracy and grouping
- Increased first hit probability
- Low weight, less than 3.0 kg (7.0 lbs)
- Reduced recoil forces
- Improved ergonomics
- Bank/Tilt compensation
- All types of ammunition boxes can be used
- Easy maintenance
- Elevation lock allows the gun to be locked in any elevation
- Reduces stress on vehicle mounts



RN-200 ammunition box carrier

The ammunition box carrier for RN-200 is designed for the M19A1 ammunition box for 7.62 mm (200 rounds). The ammunition box is held in place with a strap and can easily be exchanged without tools.



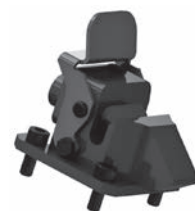
Cartridge collector for MAG58 and MINIMI

A cartridge collector to collect spent MAG58 and MINIMI rounds. The chute shall be mounted on the mount itself. The cartridge collector kit is designed for approximately 200 rounds of 7.62 mm. The bag is easy to remove, empty and install without any use of tools.



Transport lock RN-200

The transport lock is a quick-release lock that can be used to lock the RN-200 to the platform when not in use. It is mounted in the rear under the RN-200.



Rheinmetall Nordic AS

Steinklossveien 14 · 3133 Duken · Norway · www.rheinmetall.no