



MK30-2/**ABM**

RHEINMETALL
**AUTOMATIC CANNON 30 MM x173
WITH INTEGRATION KIT**

TAKING RESPONSIBILITY IN A CHANGING WORLD

 **RHEINMETALL**



Boxer with Lance turret

The MK30-2/ABM is the new standard for 30 mm automatic cannons. The outstanding combination of a high rate of fire and state-of-the-art ammunition technology makes the MK30-2/ABM an uncompromising and reliable weapon system. Within a range up to 3,000 metres the MK30-2/ABM delivers maximum effectiveness against land-, air- and sea targets.

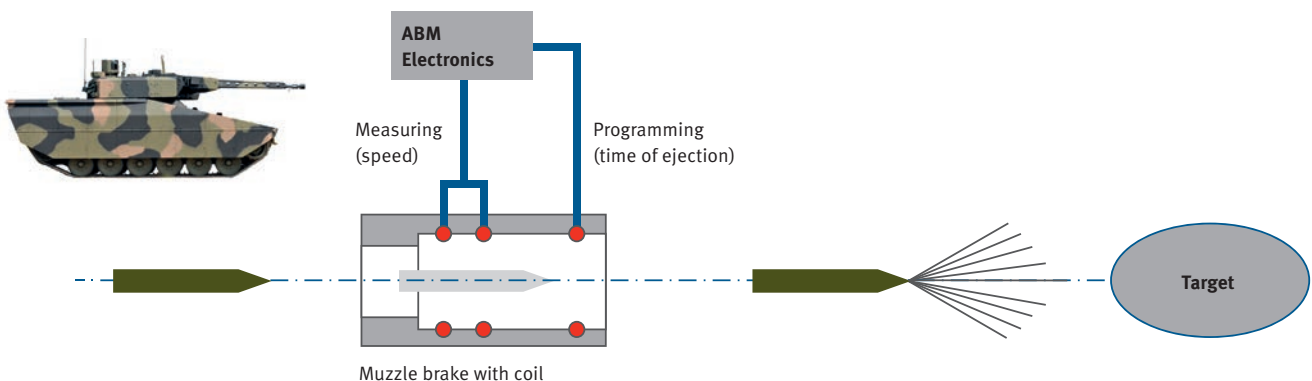
A quick change between two kinds of ammunition is ensured by means of a dual ammunition feeding system. Therefore, the weapon system is able to defeat the complete range of today's battlefield threats including IFVs, troops under protection, helicopters, convoys and dismounted troops.

The ABM projectile contains a programmable fuse. Individual muzzle velocity of each projectile is measured while passing the muzzle brake. Subsequently, depending on target distance and muzzle velocity, the inductive programming of the ejection time is calculated.

High penetration performance of each sub-projectile (162) in combination with a variable projectile density in front of the target enables the engagement of a wide array of targets.

The weapon system MK30-2/ABM is successfully in service with the German Puma IFV, the Boxer with LANCE turret system in Australia and the LYNX KF41 with LANCE turret system in Hungary.

ABM-SYSTEM





MK30-2/ABM 30 MM x173

Automatic cannon

- Simple design
- Excellent operational reliability
- High rate of fire
- Most modern ammunition technology
- Wide range of applications



Puma Infantry Fighting Vehicle



Lynx KF41 Infantry Fighting Vehicle

TECHNICAL DATA

Calibre	30 mm x 173
Weight incl. dual ammunition feeder	210 kg
Length incl. muzzle brake and programming unit	3.78 m
	Firing modes
	Single fire
Controlled rate of fire	200 rds/min
Burst fire (optional on request)	600 rds/min



APFSDS-T 30 MM x173 AMMUNITION/PMC359

Armour piercing fin stabilised discarding sabot with tracer

- This new generation of armour piercing sub-calibre ammunition is designed to defeat both monobloc and spaced armour targets found on the battlefield of today and for the foreseeable future.
- Based on the well proven Rheinmetall sub-calibre technology, employing an in-situ plastic moulded sabot with integral driving band, it suffers none of the problems associated with the traditional slipping rotating band design with respect to the influence of adverse barrel wear and atmospheric conditions.
- As the projectile is launched at full spin, sabot discard is essentially instantaneous after muzzle exit with minimum penetrator perturbation, resulting in excellent ammunition accuracy.
- The ability of the ultra low drag tungsten alloy long rod penetrator to defeat RHA and HHA armours, even at very low angles of obliquity at extended ranges, makes APFSDS-T the essential choice for vehicle armament.
- APFSDS-T ammunition can be deployed together with FAPDS-T (Frangible) ammunition to provide IFVs with a potent self defence capability against both ground-to-ground and air-to-ground attack.
- Qualified by German Authorities.

MAIN FEATURES

Performance	Short time of flight
	Defeats armour at low impact angles at extended ranges
Firing mode	Single shot and automatic mode
Safety	Insensitive munition (no HE)
Environment	No toxic elements (no DU)
Transport/Storage	UN Classification 1.2C

TECHNICAL DATA

Total length of round	290 mm
Mass of round	approx. 725 g
Mass of projectile	235 g
Propellant	EI type
Muzzle velocity	1,405 m/s
Cartridge case	Steel
Temperature range (functional)	-30°C to +50°C
Dispersion	≤ 0.5 mil
Penetration 1,000 m	53 mm/60° NATO



ABM/KETF 30 MM x173 AMMUNITION/PMC308

Air burst munition/kinetic energy time fuze

- KETF ammunition, based on the NATO qualified AHEAD technology, contains an Electronic Timer Module which is programmed inductively at the muzzle with compensation for variations in projectile velocity to ensure precise down-range payload release.
- The payload consists of 162 cylindrical tungsten alloy sub-projectiles, each weighing 1.24 g, which are released by a small ejection charge (0.5 g) just ahead of the target.
- The individual sub-projectiles are spin stabilised and form a lethal cone of “fragments”, which significantly increases hit probability, especially at extended ranges.
- The ability to adjust the stand-off distance, ensures that KETF ammunition is able to defeat a wide range of modern battlefield threats including, IFVs, ATGM bunkers, dismounted troops and helicopters.
- KETF ammunition based on the AHEAD technology is the ideal solution for the modern vehicle armament role, as well as for the terrestrial air defence, and naval applications.
- Qualified by German Authorities.

MAIN FEATURES

Performance	Defeats a wide range of targets
Firing mode	Single shot and automatic mode
Safety	Insensitive munition (0.5 g HE)
Environment	No toxic elements
Transport/Storage	UN Classification 1.2E

TECHNICAL DATA

Total length of round	290 mm
Mass of round	approx. 830 g
Mass of projectile	360 g
Mass of payload	201 g (tungsten-alloy)
Propellant	NC type
Muzzle velocity	1,100 m/s
Cartridge case	Steel
Temperature range (functional)	-46°C to +63°C
	Fuze programming at the muzzle
Muzzle safety	>60 m
Time resolution	2 ms
Self destruct	8.2 s (approx. 4 km)
Dispersion	≤0.5 mil



TP-T 30 MM x173 AMMUNITION/PMC355

Target practice with tracer

- Ballistically matched to HEI-T and KETF combat ammunition.
- Handling, loading and gun function as per combat ammunition ensures realistic training.
- Tracer for enhanced visual observation during training.
- A Target Practice TP version without tracer is also available.
- Qualified by German Authorities.

MAIN FEATURES

Performance	Match to tactical ranges of combat trajectory
Firing mode	Single shot and automatic mode
Safety	Insensitive munition (no HE)
Environment	No toxic elements
Transport/Storage	UN Classification 1.2C

TECHNICAL DATA

Total length of round	290 mm
Mass of round	approx. 830 g
Mass of projectile	360 g
Propellant	NC type
Muzzle velocity	1,100 m/s
Cartridge case	Steel
Temperature range (functional)	-30°C to +63°C
Dispersion	≤0.6 mil



HEI-T 30 MM x173 AMMUNITION PMC416

High explosive incendiary with tracer

- Designed to defeat both soft skinned and airborne targets.
- Nose fuze designed according STANAG 4187 with self-destruction mechanism.
- Powerful blast, fragmentation and incendiary effects.
- Tracer with enhanced visual observation.
- Good suppressive effect due to powerful blast, flash and bang.
- Long endurance flame giving excellent incendiary effects.
- Optimized fragmentation of the shell body material.
- Impact nose fuze with self-destruction mechanism.
- Company qualification.

MAIN FEATURES

Performance	Effective against soft skinned ground and air targets
Firing mode	Single shot, automatic mode and rapid single shot
Environment	No toxic elements
Transport/Storage	UN Classification 1.2E
Fuze	Fuze compliant to STANAG 4187

TECHNICAL DATA

Total length of round	290 mm
Mass of round	approx. 820 g
Mass of projectile	360 g
Propellant	NC single-base type
Muzzle velocity	1,100 m/s
Cartridge case	Steel
Temperature range (functional)	-46°C to +63°C



TPFDS-T 30 MM x173 AMMUNITION/PMC307

Target practice frangible discarding sabot with tracer

- Ballistically matched with subcalibre combat ammunition to tactical ranges.
- Reduced ricochet risk operation due to prefragmented core.
- Tracer for enhanced observation.
- Handling, loading and gun function as per combat ammunition ensures realistic training.
- Hazard class as per TP-T.

MAIN FEATURES

Performance	Match to tactical ranges of combat trajectory
Firing mode	Single shot and automatic mode
Safety	Insensitive munition (no HE) Reduced ricochet risk
Environment	No toxic elements
Transport/Storage	UN Classification 1.2C

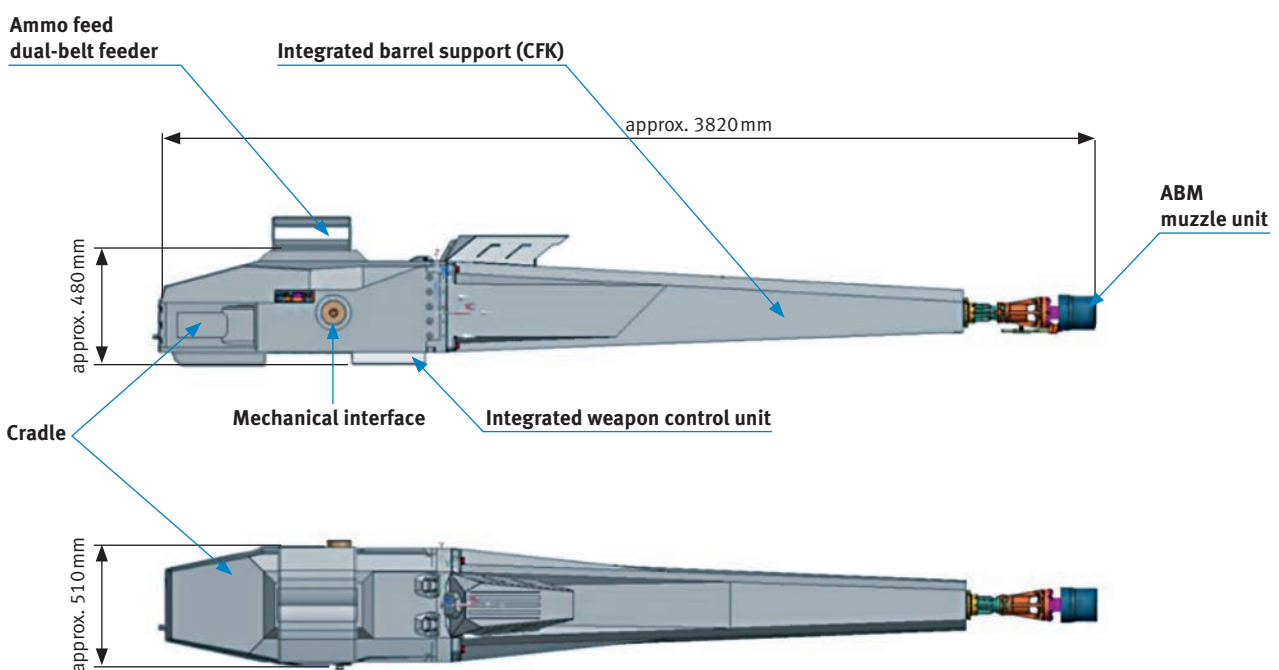
TECHNICAL DATA

Total length of round	290 mm
Mass of round	710 g
Mass of projectile	209 g
Propellant	El type
Muzzle velocity	1,400 m/s
Cartridge case	Steel
Temperature range (functional)	-30°C to +50°C
Dispersion	≤0.5 mil

THE MK30-2/ABM – INTEGRATION KIT

Rheinmetall offers a lightweight and easy to install cradle that simplifies integration of the MK30-2/ABM into turrets and weapon stations.

- Completely enclosed and made from carbon fibre
- Integrated barrel support
- Integrated weapon control unit
- ABM functionality available
- Interface for easy integration into turrets and weapon stations
- Plug-and-play solution



TECHNICAL DATA		
	MK30-2/ABM	MK30-2/ABM with lightweight cradle
Length (with muzzle brake)	3,772 mm	3,860 mm
Width	352 mm	569 mm
	dual-belt feeder ± 39 mm	dual-belt feeder ± 0 mm
Height	302 mm	480 mm
Weight (complete weapon/system)	210 kg	350 kg
Recoil forces	max. 18 kN	18 kN
Recoil movement	max. 45 mm	0 mm
Rate of fire (adjustable)	200 rds/min	200 rds/min
(Single fire, rapid single fire, burst fire)		
Max. rate of fire	650 rds/min	650 rds/min



Front side



Lightweight cradle on rig



Rear side



Weapon control unit

Rheinmetall Waffe Munition GmbH
www.rheinmetall.com