



OERLIKON CANNON® KBA

25 MM AUTOMATIC CANNON

The Oerlikon Cannon® KBA is a multi-purpose high precision and high performance cannon for modern threats, reliable and safe even under the most extreme environmental conditions.

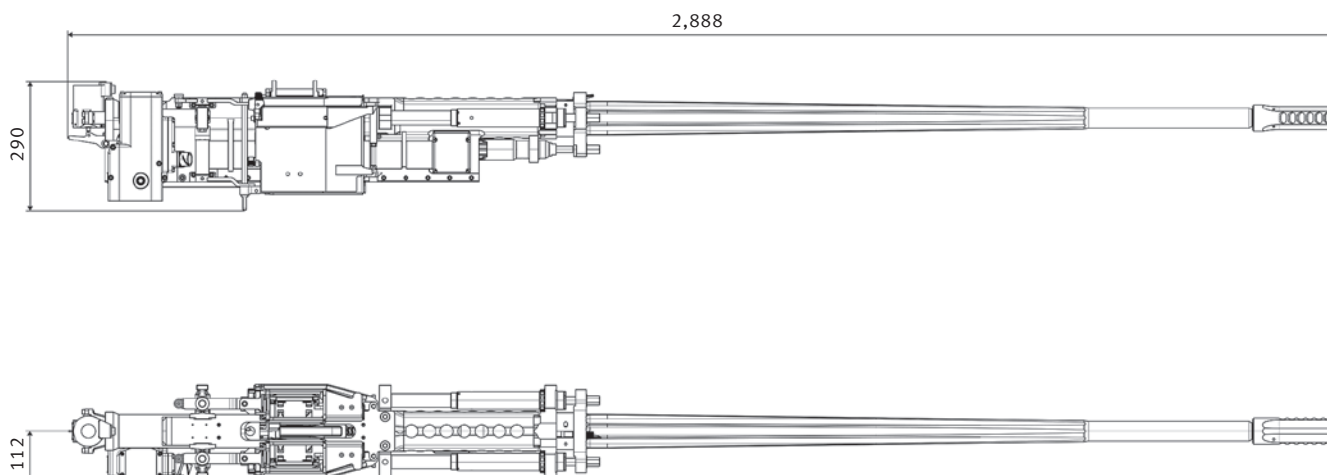
The KBA is a gas-operated cannon with automatic and mechanical manual cocking device, programmable rate of fire, rotating bolt head, dual ammunition feed system and first round response capability.

By means the wide range of firing modes can be used on remote controlled weapon stations on land as well as in naval applications.

Successfully tested and qualified to the severest operational and environmental conditions, the KBA is in service with several Nato and other armed and navy forces.

MAIN FEATURES

- Oerlikon 25 mm x 137 automatic cannon
- Positively locked gas-operated cannon with rotating bolt head
- Effective combat range: up to 2,500 m
- High precision
- Mechanical ignition
- Electrical and mechanical trigger activation
- Rate of fire: up to 600 rds/min
- Rapid single shot mode: up to 175 rds/min
- All qualified 25 mm x 137 ammunition
- Automatic and mechanical manual cocking device
- Dual belt feed
- Instant ammunition selection device (IASD)
- Reliable operation
- Simple handling and maintenance
- No tools necessary for field maintenance



TECHNICAL CHARACTERISTICS

Cannon

Calibre	25 mm x 137
Nominal rate of fire	up to 600 rounds/min
Rapid single shot	up to 175 rounds/min
Mean muzzle velocity (V_0)*	1,100–1,400 m/s
Cannon recoil	25–34 mm
Length of cannon with muzzle brake	2,888 mm
Barrel length with muzzle brake (87 cal.)	2,173 mm
Barrel length without muzzle brake (80 cal.)	2,047 mm
Rifling	RH, progressive twist, 7°30'
Rifling groves	18
Ammunition feed	dual, belt feed
Weight of cannon complete	112 kg
Weight of barrel	38 kg

Cannon safety

Redundant safety circuits	
Firing safety enable	discrete, 24VDC

Cannon control/Electrical trigger unit

Firing modes	single shot, rapid single shot, burst
Basic cannon functions:	firing mode selection, burst length selection, charge, discharge
	ammunition selection/first round response
Power supply	24VDC

Ammunition

Full-calibre types	HEI, HEI-T, TP, TP-T, FAP
Sub-calibre types	FAPDS-T, APFSDS-T, TPDS-T
Mass of round*	440–500 g
Mass of projectile*	150–180 g
Length of round*	223 mm
Shell flight time to 1,000 m*	0.75–1.17 s
Shell flight time to 1,500 m*	1.15–2.07 s
Shell flight time to 2,000 m*	1.57–3.30 s

* depending on ammunition type (sub- or full-calibre)

We reserve all rights in connection with this document. Data and descriptions have only an information value. Modifications are reserved.
 Oerlikon Cannon® is a registered trademark of Rheinmetall Air Defence AG.