

## MORTAR WEAPON SYSTEM 120 RAGNAROK

The latest development from Rheinmetall in the mortar system segment, the 120 mm RAGNAROK, brings simplicity and technology together in perfect harmony. The RAGNAROK provides a high degree of customer possible adaptations thanks to its flexible design.

### FEATURES

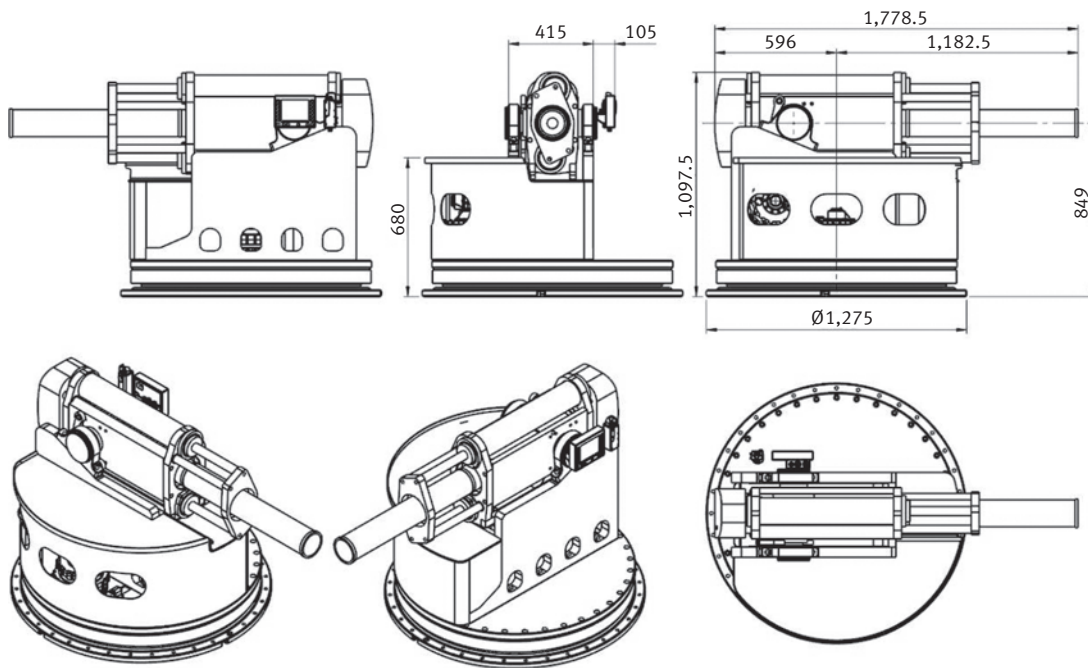
- Very low force transferred to vehicle platform
- Most barrels on the market can be integrated
- Extremely compact, suitable for most platforms
- Manual loading provides high rate of fire
- Fully automatic aiming procedure
- Choice of fully integrated ballistic computation

### YOUR BENEFITS

- The RAGNAROK 120 mm mortar is a fully motorized weapon system with a weapon elevation angle of 0–1,530 mils (vehicle pending) relative mounting surface
- RAGNAROK is designed to be as compact as possible to allow for integration also in smaller spaces
- Manual loading from the loaders platform ensures a non complex system with a minimum of moving mechanical parts
- The fully automated aiming system is powered by the very intuitive VINGPOS software, displaying a bulls eye graphical aiming dialogue



## DIMENSIONS



Weight less than 1,100 kg

