



**SSW40**  
SQUAD SUPPORT WEAPON

# RHEINMETALL APPROACH

The **increased muzzle velocity and range in manned firing operation** is achieved by the use of revolutionary recoil dampener system that uses the fundamentals of tank main armament.

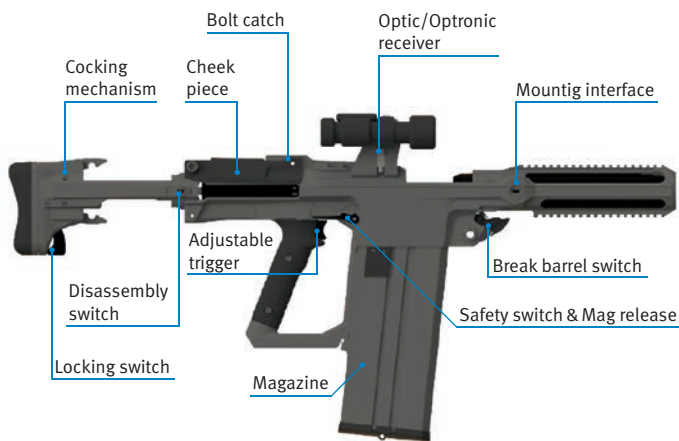
The **increased firepower** is achieved by automatic magazine fed operation, optionally with an auto-feeder for mounted operation.

**Lethality** derives from proven 40 mm HV warheads, with airburst and anti-armour capabilities.

**Commonality** with Existing Inventory and modular design to remain Optic/FCU **agnostic**.

## KEY FEATURES

- **Lethal effects up to 900 m at approx. 300 rpm**
- Range superiority and earlier target engagement
- **Easy and fast exchangeable magazines**
- Highest firepower in a shoulder-fired grenade launcher
- **Advanced precise first-hit capability**
- Higher effect of the munition due to high precision, flat trajectory-shorter “time of flight”
- **Light weapon, compact design & low user stress**
- Reducing the burden of the soldier in comparison to other squad support weapons
- **Break-barrel capability**
- Improving handling safety and utilization of special ammunition
- **Improved flexibility and enhanced mission capabilities**
- Range – Effect – Firepower with the complete **40 mm MV/LV** portfolio and usability with auto-feeder on bipods & ring mounts



#### WEAPON DIMENSIONS (APPROX.)

Length	800 mm
Width	70 mm
Height with 3-round mag	300 mm
Height with 5-round mag	400 mm

Reduced recoil due to self regulating bolt-system  
for MV and LV compatibility

- Semi-auto and Full-auto firing mode
- Weapon weight ca. 4.0 kg (8.8 lb)
- Ammunition feed:
  - Single shot (for special rounds)
  - Magazine fed (3, 5, 8)
  - Multi-fed option (auto-feed)
- Receiver for ABM IR-programmer & FCU
- Fully ambidextrous

## DRIVERS FOR MV SPECIFICATIONS

### Best trade off between range & effect

- 40 mm ammunition suitable for shoulder-fired launchers (impulse limit)
- Extended range to fill the range gap between 400 m (LV) and 2,100 m (HV)
- Flat trajectory – shorter time of flight
- Lethality and armour piercing capability comparable to 40 mm HV ammunition
- Airburst capability
- Dimensions allowing downward compatibility for LV ammunition
- Discriminator preventing compatibility with unsuitable LV launchers



Available ammunition  
TPM-T/HE-T/HE-T ABM/HEDP-T/HEDP-T ABM

## RHEINMETALL 40 MM AIRBURST TECHNOLOGY USED IN THE SSW40

### Superior effect compared to conventional PD ammunition

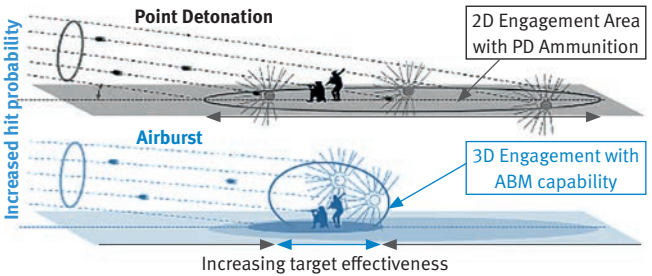
Engagement of targets out of reach with normal impact ammunition

- Entrenched targets
- Targets behind obstacles
- Targets in elevated positions



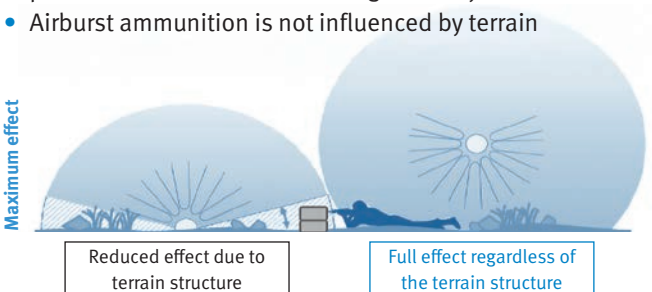
Increasing ammunition effect and dispersion  
(by factor 6 compared to PD)

- Increasing hit probability
- Increase efficiency of 40mm ammunition
- Advantages result in faster target engagement and lower ammunition consumption



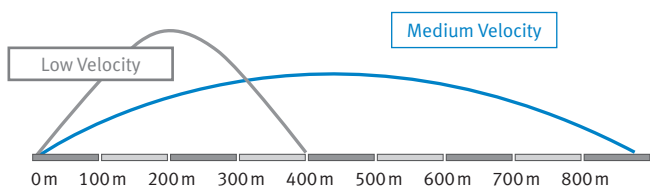
Lethality not influenced by terrain-effects

- Terrain-structure can reduce Mean Effective Area (MEA) of point detonation ammunition significantly
- Airburst ammunition is not influenced by terrain

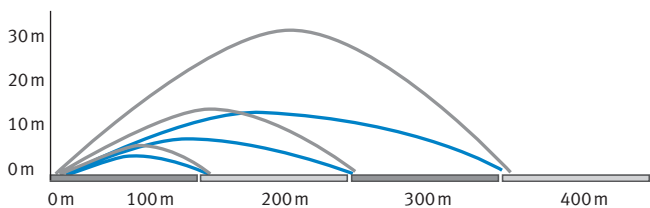


# TRAJECTORY

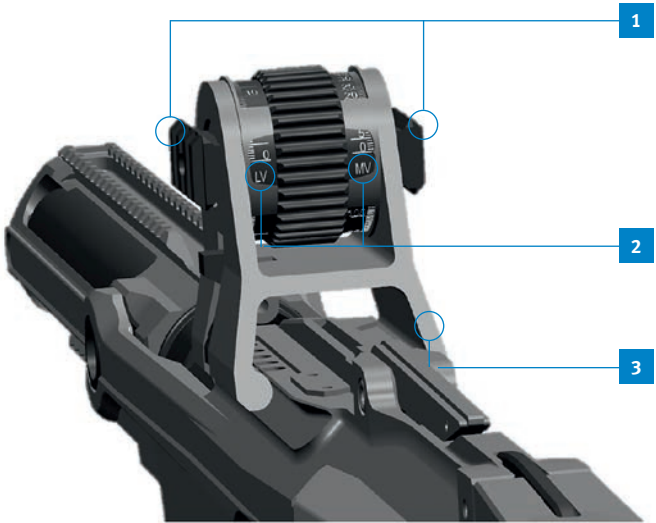
## FLAT TRAJECTORY AND SHORTER “TIME OF FLIGHT”



— LV  
— MV



# FIRE CONTROL UNIT AGNOSTIC ABM READY



## 1 Sight options (ambidextrous)

- Customer-preferred sight
- Customer-preferred FCU
- Modular open attachment point
- Preserve rapid upgrade potential

## 2 Sight options

- Mechanic ballistic compensator optional with “clicks” or ballistic table
- Preserve precision firing as backup

## 3 Removable and adjustable optics carrier

- Adjustable eye relief
- “Pop off” dropping protection for sensible optronics
- Customizable interface for sighting systems

**Rheinmetall Waffe Munition GmbH**

Heinrich-Ehrhardt-Strasse 2

29345 Unterlüss, Germany

[www.rheinmetall.com](http://www.rheinmetall.com)